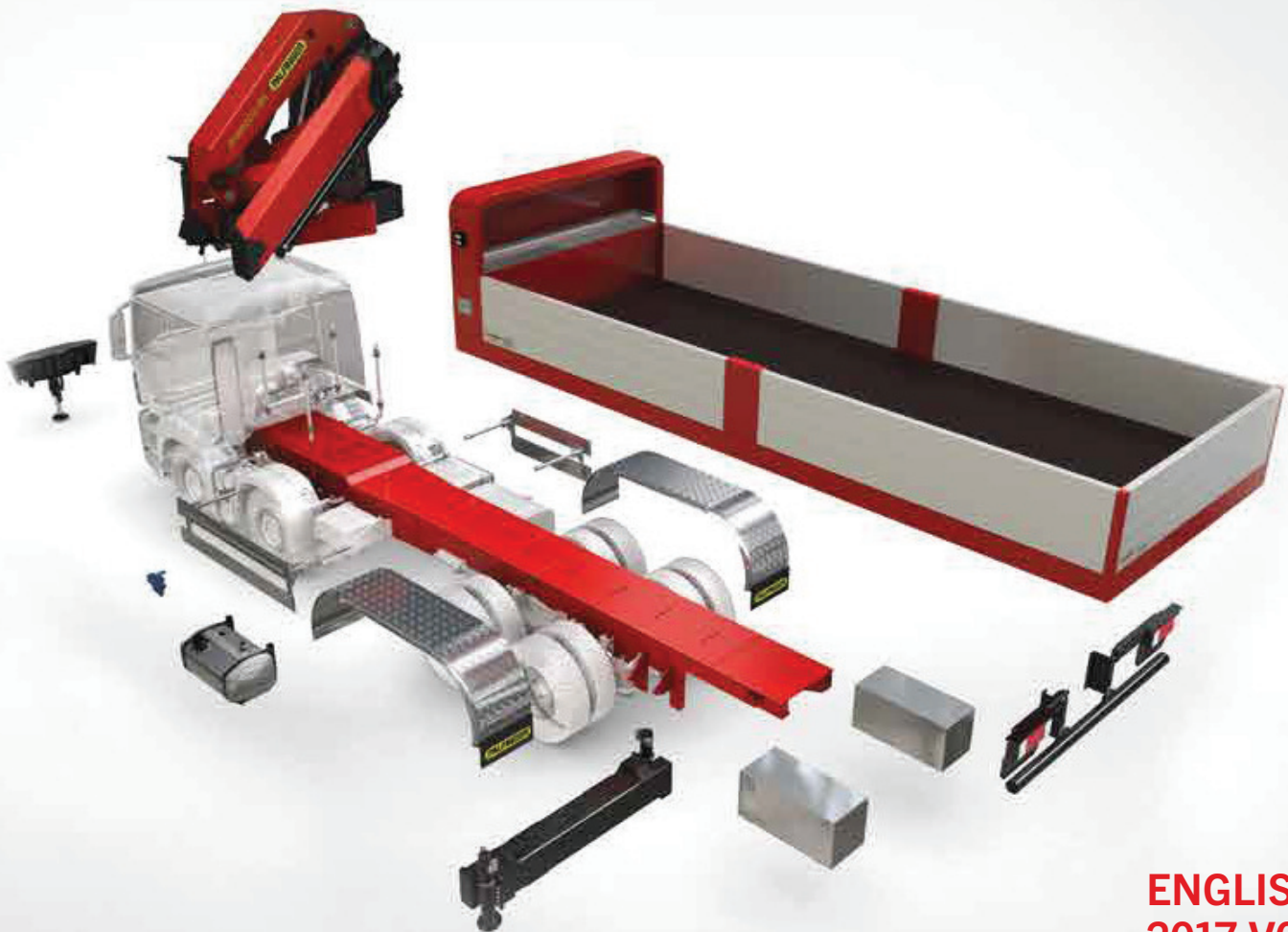


LOADER CRANE

MOUNTING ACCESSORIES

LIFETIME EXCELLENCE



OVERVIEW CONTENTS

A – General

PALFINGER Mounting Accessories – A one-stop service	04 - 05
Pacwin.NET – feasibility study	06 - 07
PALFINGER Engineering packages	08 - 09

B – Hydraulics

Pump types, Calculation of the hydraulic system	10 - 11
Load sensing pumps REXROTH / LEDUC / HAWE	12 - 13
Fixed displacement pumps single flow REXROTH / LEDUC / PARKER	14 - 15
Fixed displacement pumps double flow LEDUC / PARKER	16 - 17
Accessories for pumps	18 - 19
Oil tank aluminium and steel	20 - 21
Oil cooler ASA / HYDAC	22 - 23
Stationary hydraulic aggregates	24 - 25
Hybrid drive – emergency powerpack	26 - 27

C – Stabilizers

Additional stabilizers	28 - 29
Additional stabilizers – configuration possibilities	30 - 33
Additional stabilizers – dimensions and weight	34
Control valve - Front stabilizers - Frame stabilizers	35
Front stabilizer kits	36 - 37
Stabilizer pads and transport boxes	38 - 39

D – PC-Crane

Mounting kit for 3.5t truck	40 - 41
Stabilizers PC-crane – configuration possibilities	42 - 43
Powerpacks for PC-crane	44 - 45

E – Mounting Accessories

PALFINGER subframe packages	46
Subframe	47
Flabed kits	48
PALFINGER designframe	49
Side underride protection	50 - 51
Underride protection	52 - 53
Mudguards	54 - 55
Toolboxes PRO – stainless steel – steel – plastic	56 - 57
Mounting bolts	58 - 59
Rear demountable brackets	60
Extension couplings	61
Accessories for high stand	62
Miscellaneous	63

PALFINGER MOUNTING ACCESSORIES

A ONE-STOP SERVICE

At PALFINGER we want to ensure that our lifting solutions deliver their promised performance at the highest possible security level. Therefore the entire system consisting of crane, truck, subframe and hydraulic system is decisive.

For this reason, PALFINGER offers a broad spectrum of equipment in order to meet the usual high availability and serviceability as well as the well-known lifting performance.

A one-stop service means to us, that you can get everything you need for your mounting project from PALFINGER - fast, simple and perfectly matched.

High complexity and seasonal fluctuations are the core of any mounting business. In order to support our mounting partners in their day-to-day challenges, we want to offer them the support they require - from software tools for the project planning, to tested components, body kits and complete vehicles.

We are pleased to offer you the following services:



PC-CRANE ACCESSORIES

Innovative and fast complete solutions for our smallest cranes - from mounting kits to hydraulic aggregates. A one-stop service for the fast and efficient mounting on 3.5t vehicles.



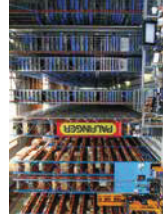
MOUNTING ACCESSORIES

From individual subframes over the proven additional stabilizers up to toolboxes - we invested a lot of time and money to offer you the perfect components in approved PALFINGER quality.



SERVICE AND TECHNICAL SUPPORT

PALFINGER provides an extensive service network. The highly trained employee of our service partners and licensed workshops provide help quickly.



SPARE PARTS SUPPLY

Several spare parts centres worldwide guarantee a seamless supply of spare parts. All original spare parts are tested and comply with the PALFINGER quality standard.



MOUNTING SOFTWARE PACWIN.NET

This in-house developed software is the perfect tool for feasibility studies, stability and hydraulics calculations. For more information, see page 06-07.



ENGINEERING PACKAGES

Use PALFINGER as flexibly as you require. We are happy to offer you a wide range of services like calculations, assembly kits - up to complete vehicles. For more information, see page 08-09.



HYDRAULIC COMPONENTS

Pumps, tanks and oil coolers are perfectly matched to our products and have to pass strict tests to ensure longevity and cleanliness. This are the key parameters to avoid expensive consequential damages.

PACWIN.NET THE PERFECT SOFTWARE FOR YOUR FEASIBILITY STUDY

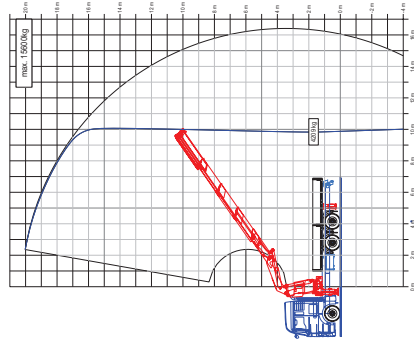
With the in-house developed PACWIN.NET software PALFINGER provides its partners a strong tool for their mounting planning. Ensuring that our lifting solutions can provide their promised performance with the utmost security is therefore our most important target.

PACWIN.NET is available to all mounting partners in a cost-free basic version and a licensed complete version. Please contact your general importer for access. You can also order PACWIN.NET calculation via a service package – for that you can find more details on the next page.

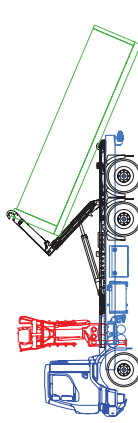
Accurate planning helps to simulate complex mounting situations on the computer and to implement customer requirements efficiently and economically, long before the operational work is started. PACWIN.NET is the ideal tool for calculating axle loads, lifting curves, stability analyses, hydraulic designs and dynamic movement sequences. In the latest version, the stability can be calculated not only in the known test load position, but also with individual boom angles - ideal to integrate the customer-specific operations into the planning.

The continuously updated database offers besides PALFINGER lifting solutions and accessories over three million basic data of the most renowned international commercial vehicle manufacturers. This large data base is the basis for the complex construction of customer specific requirements.

The newest version of PACWIN.NET 2017 offers a module for the hydraulic design. With just a few clicks, the ideal pump is selected from the PALFINGER Mounting Accessories catalogue. Furthermore the ideal pipes and hoses diameters as well as the necessary tank volume are determined.



Load curve of a PK 65002 SH

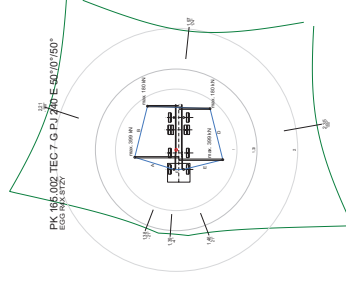


Working positions of a T20 DIN hookloader

The PACWIN.NET module Free Weights helps to position attachments such as oil tanks, side underride protections, mudguards and other elements with their own graphics, dimensions and weights. The Free Weights are integrated in the axle load and stability calculation.

Available in 15 different languages, the software tool runs on Windows and offers the option of module expansion as a flexible license system. For Cranes and Hookloaders simplified free of charge basic versions are available.

An example of the result of a PACWIN.NET calculation can be found in the PALDESK/Equipment.



Stability analysis with individual boom angles

PACWIN.NET MODULES

Free of charge Module Calculation

Lifting performance diagram
Lifting curve analysis



Fee-based Additional modules

Additional stabilizers
Stability analysis
HP/SC/ISC Precalculation
Axle load calculations



Truck
Free weights
Underride protection
Hydraulics

Stability calculation
Axle load calculations

Working position
Cinematics

Hookloader
Skiploader

Crane
Lifting performance diagram
Lifting curve analysis

Additional stabilizers
Stability analysis
HP/SC/ISC Precalculation
Axle load calculations

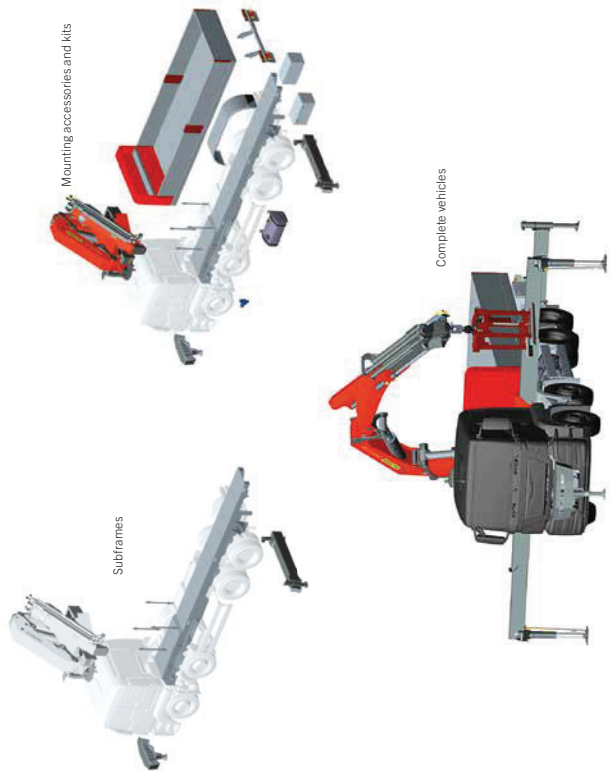
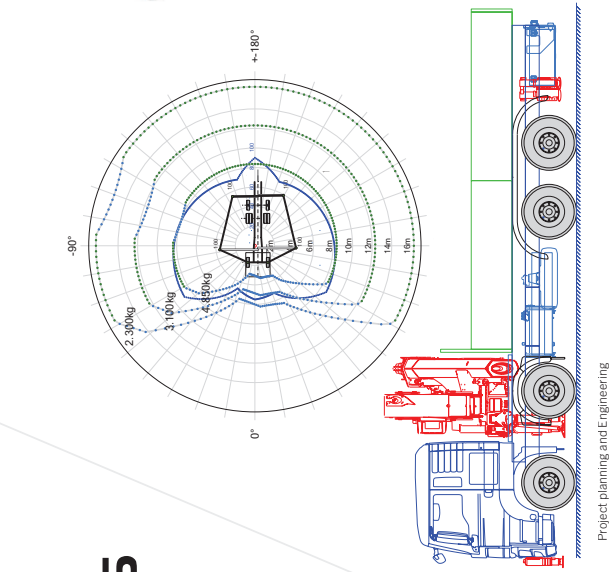
Fee-based
Additional modules

Free of charge
Module Calculation

ENGINEERING PACKAGES FLEXIBLE SUPPORT FOR YOUR MOUNTING PROJECT

We at PALFINGER would like to make our experiences from our in-house Mounting Competence Center available to our partners.

As a result, we now offer flexible engineering packages tailored to your individual needs. The scope ranges from the project planning and engineering to the provision of components to complete vehicles.

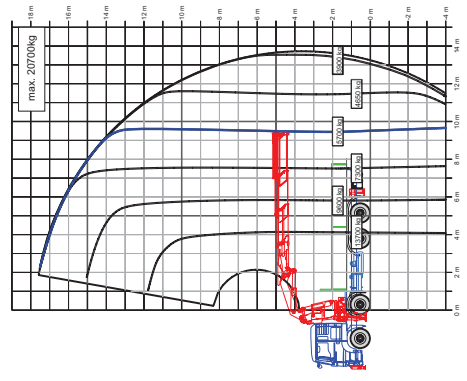
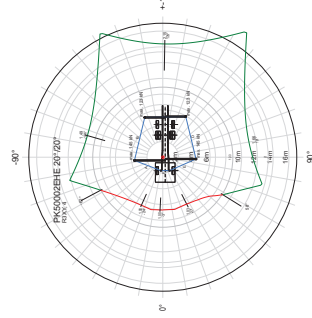


PACKAGE 1 – PROJECT ENGINEERING – ArtNr. ENG-PAC01

With its own software solutions for the project engineering - PACWIN.NET - PALFINGER has been offering its partners for years a strong tool for their project engineering. Ensuring that our lifting solutions can provide their promised performance with the utmost security is therefore our most important target. Whether for our MCC or our customers, we work with PACWIN.NET every day and share our experiences with package 1.

Included Services:

- Advice on the selection of the mounting variant by e-mail or telephone
- Conceptual design
- PACWIN.NET calculations – stability analysis and axle load
- Examination of technical feasibility
- Construction concept drawing to PACWIN.NET



If you are interested in our package 1, please fill out our request form in the PALDESKEquipment and forward it to your local PALFINGER dealer. An example of the result of package 1 is also found in the PALDESKEquipment.

PACKAGE 2 – INDIVIDUAL MOUNTING PACKAGE – ON DEMAND

Building on our package 1, we are also happy to offer you individual components, a complete body kit or the entire vehicle. We would like to help you to cover capacity peaks in standard constructions, to realize special projects or to obtain components that are not feasible to your production facilities. We guarantee you a comfortable solution with components of the highest quality - adapted to your needs and developed with the most modern engineering methods.

Available services and components:

- Development of a harmonized complete system
- Pump calculation and delivery
- Static design of the components
- Documentation for the electrical and hydraulic connection
- Assembly instructions for the components supplied
- Subframes raw, primed or painted - if necessary with connection of the additional stabilizers
- Components for the connection to the vehicle chassis
- Palfinger factory design flatbeds or individual variants
- Delivery of mounting accessories from our Mounting Accessories Catalogue
- Ready to use kits with all necessary components - you place the truck, we the rest
- Factory mounting - complete vehicles on placed truck
- On-site support for your project



If you are interested in our package 2, please fill out our request form in the PALDESKEquipment and forward it to your local PALFINGER dealer. We are looking forward to your request and will contact you for advice and detailed consultation.

HYDRAULICS

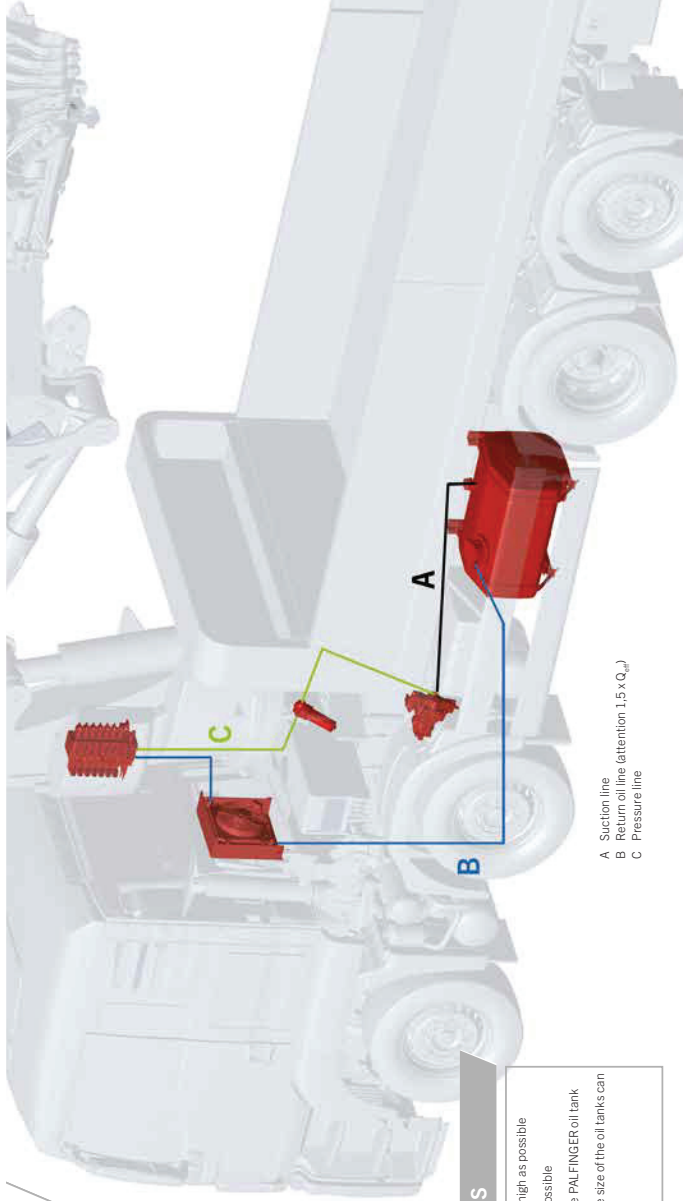
PALFINGER offers a complete range of hydraulic components to drive the PALFINGER device optimally.

The hydraulic system is the heart of the PALFINGER unit and must meet the highest requirements.

PALFINGER works exclusively with well-known and long-standing partners to ensure the highest quality requirements.

TIPS

- Position of the oil tank as high as possible
- Suction line as short as possible
- Fill only filtered oil into the PALFINGER oil tank
- When using oil coolers the size of the oil tanks can be reduced by 25%



A Suction line
B Return oil line (attention 1.5 x Q_{oil})
C Pressure line

CALCULATION OF THE HYDRAULIC SYSTEM

Dimensioning of the pump size (l/min):

$$Q_{req} = \frac{Q_{crane} \cdot 1000}{\eta_{eng} \cdot (\eta_1 \cdot \eta_2) \cdot \eta_{pump}} \rightarrow \approx Q_{pump}$$

Effective pump speed (min⁻¹):

$$\eta_{pump} = \eta_{eng} \cdot (\eta_1 \cdot \eta_2) \rightarrow \leq \eta_{max}$$

Effective pump flow (l/min):

$$Q_{eff} = Q_{pump} \cdot \eta_{pump} \cdot \eta_{pump} \rightarrow \approx Q_{crane}$$

Required torque at PTO (Nm):

$$M_{req} = \frac{Q_{eff} \cdot p \cdot 15.9}{\eta_{pump}} \rightarrow \leq M_{max}$$

Required power for PTO (kW):

$$P_{req} = \frac{Q_{eff} \cdot p}{600} \rightarrow \leq P_{max}$$

Required cooling capacity (kW):

$$P_{cool} \approx \frac{P_{req}}{3}$$

Required oil tank volume (l):

$$V_{tank} \approx 2 \text{ to } 3 \cdot Q_{eff}$$

CONSTANT PUMPS

The constant pumps offer a simple and cost-effective drive variant. We offer a variety of bent axis and inline pumps, depending on the requirements.



CONSTANT PUMP DOUBLE CIRCUIT

For a quick work with several functions, especially in wood and recycling crane use, we have a variety of suitable pump types available.



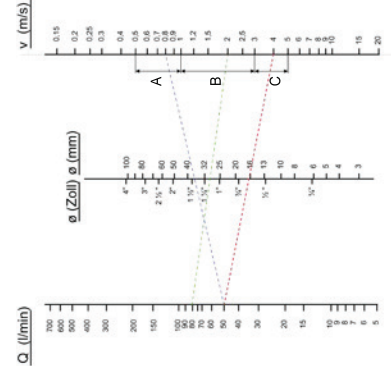
LOAD SENSING PUMPS

With load sensing pumps, they operate your crane efficiently and save money in the long run. Highest quality and efficiency rate are standard at our PALFINGER load sensing pumps.

BASIC DATA FOR CALCULATION

Q _{req}	Required pump size
Q _{crane}	Required oil flow crane
Q _{pump}	Oil flow pump at 1000 rpm
Q _{eff}	Effective oil flow
η _{pump}	Efficiency rate
i ₁ /i ₂	Ratio engine/PTO (often 1 factor)
n _{eng}	RPM of the engine
n _{pump}	RPM of the pump
n _{max}	max. permissible speed of the pump
p	Required operating pressure
M _{req}	Required torque at PTO
M _{max}	max. permissible torque at PTO
P _{req}	Required power
P _{max}	max. power at PTO
P _{cool}	Required cooling capacity
V _{tank}	Required oil tank volume

REQUIRED PIPE CONNECTION



BEST PRICE DEAL - LOAD SENSING PUMPS

- Fuel savings due to tests between 6% and 22% % (est. saving (6% - 22%))
 - Fine control of the crane X Fuel consumption during crane operation
 - Reduced noise and noise pollution and CO₂ emission X crane hours / year
 - X fuel price / l
- = **SAVING PER YEAR**

LOAD SENSING PUMPS

PALFINGER load sensing pumps drive your crane efficiently and save your money in the long run. Highest product quality and energy efficiency characterize our products.

- All load sensing pumps are designed for operating pressure up to 385 bar
- PALFINGER warranty & service
- Suitable suction connection included in the package
- The collaboration with established manufacturers ensure longer and easier work with the PALFINGER product.

Rexroth
Bosch Group



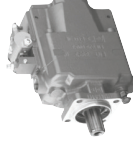
- Highest performance efficiency
- Long-lasting bent axis design
- Low noise emission due to bent axis design
- By means of the adjusting screw the maximum displacement volume can be adjusted (exception **)

HYDRO LEDUC



- Compact design allows the installation on most vehicles
- Excellent price-performance-ratio
- 130l and 150l with exchangeable rotation direction (*)
- Huge variety of different flow rates available
- By means of the adjusting screw the maximum displacement volume can be adjusted (exception **)

HAWES
HYDRAULIK



- Compact design allows the installation on most vehicles
- High hydraulic efficiency
- Excellent reliability
- Compact and lightweight
- Includes power control at 130l (***)

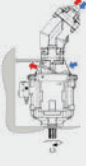
TECHNICAL DATA

40 - 70 [l/min] at 1000 rpm	Article number	EP 653HD (R) / EP 654HD (L)			
	Displacement volume at 1000 rpm (l/min) Maximum speed (rpm) Dead weight (kg) Dimensions L X W X H (mm)	55 2500 16 266 x 118 x 304			
71 - 95 [l/min] at 1000 rpm	Article number	EP 651HD (R) / EP 652HD (L)			
	Displacement volume at 1000 rpm (l/min) Maximum speed (rpm) Dead weight (kg) Dimensions L X W X H (mm)	80 2240 21 288 x 128 x 325			
96 - 125 [l/min] at 1000 rpm	Article number	EP 649HD (R) / EP 650HD (L)			
	Displacement volume at 1000 rpm (l/min) Maximum speed (rpm) Dead weight (kg) Dimensions L X W X H (mm)	107 2150 25 309 x 134 x 342			
126 - 150 [l/min] at 1000 rpm	Article number				
	Displacement volume at 1000 rpm (l/min) Maximum speed (rpm) Dead weight (kg) Dimensions L X W X H (mm)				
Others	Article number				
	Displacement volume at 1000 rpm (l/min) Maximum speed (rpm) Dead weight (kg) Dimensions L X W X H (mm)				

More detailed technical data can be found on PALFINGER Equipment.
(R) clockwise
(L) counterclockwise
(U) universal

REXROTH

	EP 1923R / EP 1923L				
	40 3000 27				
	276 x 125 x 248				
	EP 769R / EP 769L				
	75 2000 27				
	276 x 125 x 248				
	EP 945R / EP 945L**				
	120 2100 27				
	276 x 125 x 248				
	EP 150U*				
	130 1900 27,2				
	150 (Attention max. 350bar)				
	2000 27,2				
	266 x 127 x 277				
	EP 1926DR / EP 1926DL				
	1900 31,1 32,8 x 127 x 282				



With drive through shaft for the mounting of an additional hydraulic pump (max. 500Nm (0.8t))

HYDRO LEDUC

	EP 768R / EP 768L				
	60 2600 27				
	276 x 125 x 248				
	EP 770R / EP 770L				
	92 1900 27				
	276 x 125 x 248				
	EP 2169 (R) / EP 2173 (L)				
	60 2500 24				
	254 x 115 x 235				
	EP 2170 (R) / EP 2174 (L)				
	90 2300 27				
	278 x 120 x 248				
	EP 2171 (R) / EP 2175 (L)				
	110 2200 30				
	280 x 127 x 255				
	EP 2172 (R) / EP 2176 (L)***				
	130 2100 31				
	270 x 130 x 289				

HAWE

	EP 1923R / EP 1923L				
	40 3000 27				
	276 x 125 x 248				
	EP 769R / EP 769L				
	75 2000 27				
	276 x 125 x 248				
	EP 945R / EP 945L**				
	120 2100 27				
	276 x 125 x 248				
	EP 150U*				
	130 1900 27,2				
	150 (Attention max. 350bar)				
	2000 27,2				
	266 x 127 x 277				
	EP 1926DR / EP 1926DL				
	1900 31,1 32,8 x 127 x 282				

FIXED DISPLACEMENT PUMPS SINGLE FLOW

All PALFINGER fixed displacement pumps are ideally suited to the needs of the PALFINGER product and are delivered with the appropriate suction connection.

- All fixed pumps are designed for operating pressure up to 385 bar
- PALFINGER warranty & service
- Suitable suction connection included in the package
- The collaboration with established manufacturers ensure longer and easier work with the PALFINGER product

Rexroth
Bosch Group



- Universal rotation direction
- Lightweight design through aluminum casing
- Low noise level due to sound-optimized design
- Bypass valve available (p. 18)

HYDRO LEDUC

In-line pump



- Universal rotation direction
 - Robust steel casing
 - Reinforced seals
 - Bypass valve available (p. 19)
- Universal rotation direction
 - Resistant against fluids with slight contamination
 - Compact design
 - Complete package (incl. suction hose, etc.) * (P)

Parker



- High hydraulic efficiency
- Excellent reliability

TECHNICAL DATA

10 - 20 [l/min] at 1000 rpm	Displacement volume at 1000 rpm [l/min]	Article number
	Maximum speed [rpm]	Dead weight [kg]
21 - 35 [l/min] at 1000 rpm	Displacement volume at 1000 rpm [l/min]	Article number
	Maximum speed [rpm]	Dead weight [kg]
36 - 46 [l/min] at 1000 rpm	Displacement volume at 1000 rpm [l/min]	Article number
	Maximum speed [rpm]	Dead weight [kg]
47 - 60 [l/min] at 1000 rpm	Displacement volume at 1000 rpm [l/min]	Article number
	Maximum speed [rpm]	Dead weight [kg]
61 - 65 [l/min] at 1000 rpm	Displacement volume at 1000 rpm [l/min]	Article number
	Maximum speed [rpm]	Dead weight [kg]
66 - 85 [l/min] at 1000 rpm	Displacement volume at 1000 rpm [l/min]	Article number
	Maximum speed [rpm]	Dead weight [kg]
86 - 130 [l/min] at 1000 rpm	Displacement volume at 1000 rpm [l/min]	Article number
	Maximum speed [rpm]	Dead weight [kg]

More detailed technical data can be found on PALFINGER EQUIPMENT (L) counterclockwise (R) clockwise (U) universal

REXROTH

EP 340 (U)	185 x 107 x 161	EP 341 (U)
	23	32
EP 342 (U)	185 x 107 x 161	EP 343 (U)
	46	2650
EP 344 (U)	223 x 108 x 182	EP 345 (U)
	63	2200
EP 346 (U)	245 x 114 x 201	EP 347 (U)
	107	2000
EP 348 (U)	272 x 129 x 223	EP 349 (U)
	15	1900

HYDRO LEDUC

EP1394A (U)	12	EP1395A (U)
	3150	2900
EP1396A (U)	197 x 108 x 160	EP1397A (U)
	25	32
EP1398A (U)	197 x 108 x 160	EP1399A (U)
	41	2550
EP1400A (U)	215 x 108 x 175	EP1401A (U)
	63	2300
EP1402A (U)	242 x 123 x 190	EP1403A (U)
	108	1900
EP1404A (U)	242 x 123 x 190	EP1405A (U)
	15,4	15,8

PARKER

EP 658R / EP 658L	25	EP 659R / EP 659L
	2200	2100
EP 660R / EP 660L	51	EP 661R / EP 661L
	1900	1900
EP 662R / EP 662L	81	EP 663R / EP 663L
	1750	1550
EP 664R / EP 664L	12,5	EP 665R / EP 665L
	303 x 107 x 141	259 x 118 x 259

FIXED DISPLACEMENT PUMPS DOUBLE FLOW

All Palfinger fixed displacement pumps are ideally suited to the needs of the Palfinger product and are delivered with the appropriate suction connection.

- All fixed pumps are designed for operating pressure up to 385 bar
- Palfinger warranty & service
- The collaboration with established manufacturers ensure longer and easier work with the Palfinger product



- Universal rotation direction
- Excellent price performance-ratio
- Variety of different flow rates
- Compact design



- Very low noise emission
- Low weight
- High hydraulic efficiency

TECHNICAL DATA

2 x 30 – 49 [l/min] at 1000 rpm	Article number	EP 552 (U)	EP 1999 (U) *
	Displacement volume at 1000 rpm [l/min]	2 x 39	2 x 32
	Maximum speed [rpm]	1700	2200
2 x 50 – 59 [l/min] at 1000 rpm	Dead weight [kg]	23.5	24.6
	Dimensions L X W X H [mm]	345 x 124 x 159	287 x 124 x 167,5
	Article number	EP 553 (U)	EP 556 (U)
2 x 60 – 75 [l/min] at 1000 rpm	Displacement volume at 1000 rpm [l/min]	2 x 52	2 x 57
	Maximum speed [rpm]	1500	1310
	Dead weight [kg]	23.5	23.5
Others at 1000 rpm	Dimensions L X W X H [mm]	345 x 124 x 159	345 x 124 x 159
	Displacement volume at 1000 rpm [l/min]	EP 502	EP 1415 (U) *
	Maximum speed [rpm]	2 x 75	2 x 67
Others at 1000 rpm	Dead weight [kg]	1200	1400
	Dimensions L X W X H [mm]	26.8	24.6
	Displacement volume at 1000 rpm [l/min]	302 x 124 x 162,5	287 x 124 x 167,5
Others at 1000 rpm	Maximum speed [rpm]	EP 1158	EP 318 (R) / EP 701 (L)
	Dead weight [kg]	1x 357 / 1x 75	1x 357 / 1x 70
	Dimensions L X W X H [mm]	1500	1800
Others at 1000 rpm	Displacement volume at 1000 rpm [l/min]	27.4	19
	Maximum speed [rpm]	287 x 124 x 167,5	282 x 148 x 213
	Dead weight [kg]		
Others at 1000 rpm	Dimensions L X W X H [mm]		
	Displacement volume at 1000 rpm [l/min]		
	Maximum speed [rpm]		
Others at 1000 rpm	Dead weight [kg]		
	Dimensions L X W X H [mm]		
	Displacement volume at 1000 rpm [l/min]		
Others at 1000 rpm	Maximum speed [rpm]		
	Dead weight [kg]		
	Dimensions L X W X H [mm]		

More detailed technical data can be found on PALDESK.

- * Pumps with 2x5 pistons offer lower noise emissions
- (R) clockwise
- (L) counterclockwise
- (U) universal

HYDRO LEDUC

2 x 30 – 49 [l/min] at 1000 rpm	Article number	EP 2185 (R) / EP 2186 (L)
	Displacement volume at 1000 rpm [l/min]	2 x 42
	Maximum speed [rpm]	1800
2 x 50 – 59 [l/min] at 1000 rpm	Dead weight [kg]	19
	Dimensions L X W X H [mm]	282 x 148 x 213
	Article number	EP 410 (R) / EP 411 (L)
2 x 60 – 75 [l/min] at 1000 rpm	Displacement volume at 1000 rpm [l/min]	2 x 53
	Maximum speed [rpm]	1800
	Dead weight [kg]	19
Others at 1000 rpm	Dimensions L X W X H [mm]	282 x 148 x 213
	Displacement volume at 1000 rpm [l/min]	EP 984R / EP 984L
	Maximum speed [rpm]	2 x 70
Others at 1000 rpm	Dead weight [kg]	1650
	Dimensions L X W X H [mm]	19
	Displacement volume at 1000 rpm [l/min]	282 x 148 x 213
Others at 1000 rpm	Maximum speed [rpm]	EP 318 (R) / EP 701 (L)
	Dead weight [kg]	1x 357 / 1x 70
	Dimensions L X W X H [mm]	1800
Others at 1000 rpm	Displacement volume at 1000 rpm [l/min]	19
	Maximum speed [rpm]	282 x 148 x 213
	Dead weight [kg]	
Others at 1000 rpm	Dimensions L X W X H [mm]	
	Displacement volume at 1000 rpm [l/min]	
	Maximum speed [rpm]	
Others at 1000 rpm	Dead weight [kg]	
	Dimensions L X W X H [mm]	
	Displacement volume at 1000 rpm [l/min]	
Others at 1000 rpm	Maximum speed [rpm]	
	Dead weight [kg]	
	Dimensions L X W X H [mm]	

PARKER

2 x 30 – 49 [l/min] at 1000 rpm	Article number	EP 2185 (R) / EP 2186 (L)
	Displacement volume at 1000 rpm [l/min]	2 x 42
	Maximum speed [rpm]	1800
2 x 50 – 59 [l/min] at 1000 rpm	Dead weight [kg]	19
	Dimensions L X W X H [mm]	282 x 148 x 213
	Article number	EP 410 (R) / EP 411 (L)
2 x 60 – 75 [l/min] at 1000 rpm	Displacement volume at 1000 rpm [l/min]	2 x 53
	Maximum speed [rpm]	1800
	Dead weight [kg]	19
Others at 1000 rpm	Dimensions L X W X H [mm]	282 x 148 x 213
	Displacement volume at 1000 rpm [l/min]	EP 984R / EP 984L
	Maximum speed [rpm]	2 x 70
Others at 1000 rpm	Dead weight [kg]	1650
	Dimensions L X W X H [mm]	19
	Displacement volume at 1000 rpm [l/min]	282 x 148 x 213
Others at 1000 rpm	Maximum speed [rpm]	EP 318 (R) / EP 701 (L)
	Dead weight [kg]	1x 357 / 1x 70
	Dimensions L X W X H [mm]	1800
Others at 1000 rpm	Displacement volume at 1000 rpm [l/min]	19
	Maximum speed [rpm]	282 x 148 x 213
	Dead weight [kg]	
Others at 1000 rpm	Dimensions L X W X H [mm]	
	Displacement volume at 1000 rpm [l/min]	
	Maximum speed [rpm]	
Others at 1000 rpm	Dead weight [kg]	
	Dimensions L X W X H [mm]	
	Displacement volume at 1000 rpm [l/min]	
Others at 1000 rpm	Maximum speed [rpm]	
	Dead weight [kg]	
	Dimensions L X W X H [mm]	

ACCESSORIES FOR PUMPS

With original accessories from our pump manufacturers, we ensure efficient and safe operation of your equipment.

GENERAL

Suction hoses

Code	Nominal size (mm)	Length (mm)
EH4720	38	1700
EH4721	50	1700
EH4722	60	1700

REXROTH

Suction connection

Fixed and load sensing pumps



Size	Nominal size (mm)	Code
3/4"	EA1287	EA1287-45
	EA1288	EA1288-45
1"	EA2111	EA2111-45
	EA1290	EA1290-45
1 1/4"	EA1710	EA1710-45

Bypass valve

for EP344
for EP345
for EP346



For bent axis fixed displacement pumps mounted on a non-disconnectable PTO

- Allow a continuous pump speed
- No heat development in the hydraulic circuit
- No impairment of the pump life
- No modification required on the hydraulic system

* Deutsch connectors

HAWE

Suction connection

Load sensing pump (R/L)



Size	Nominal size (mm)	Code
2"	EA6352	EA6354
	EA6355	EA6357
3"	EA6358	EA6359

PARKER

Suction connection

Fixed displacement pump
Single flow



Size	Nominal size (mm)	Code
1 1/2"	EA1843	EA1843-45
	EA1847	EA1847-90
2"	EA1844	EA1844-45
	EA1845	EA1845-45
2 1/2"	EA1845	EA1845-45

Fixed displacement pump
Double flow

EA1845	EA1845-45
EA6532	

HYDRO LEDUC

Suction connection

Fixed displacement pump
Bent axis



Size	Nominal size (mm)	Code
1 1/2"	39,1	EA1991
	51,8	EA1992
2"	64,5	EA1993

Fixed displacement pump
Single flow



EA1731
EA1867
EA1867-60
EA1867-63
EA1987
EA2148

Fixed displacement pump
Double flow



EA1731
EA1867
EA1867-60
EA1867-63
EA1987
EA2148
EA2110

Load sensing pump



EA5869
EA1900
EA1867-60
EA1867-63

Load sensing pump
(U = Universal rotation direction)



EA6203
EA6205
EA6204

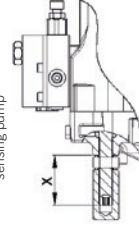
Setting screw

for EP1926U and EP 150U
for the others excl.
EP 945R/L

Bypass valve

ES4006
ES2546

For setting of the max. oil flow at LEDUC load sensing pump



Connectors	Hirschmann	Deutsch
up to 65 l/min	EV5183A	EV5183A
over 65 l/min	EV5184B	EV5184C

For bent axis fixed displacement pumps mounted on a non-disconnectable PTO

- Allows a continuous pump speed
- No heat development in the hydraulic circuit
- No impairment of the pump life
- No modification required on the vehicles hydraulic system

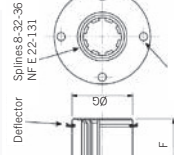


Coupling flange

This flange allows a direct mounting onto a cardan shaft

Code	Type	Ø A	Ø B	C	D	E	F	Ø G	H
EA2065	DIN 90	90	47	43	2	10	62	55	15
EA2066	DIN 100	100	57	43	2	10	64	55	15

Please consider the max. torque of the drive shaft



DIN 90	4 holes Ø 8,5 on Ø 74,5
DIN 100	4 holes Ø 10,5 on Ø 84

Dimensions in mm.

* not available for EP 553 and EP 554
** only available for 2,45 piston pumps

OIL TANK

PALFINGER offers oil tanks that are perfectly adjusted to our cranes. In addition to essential technical advantages the tanks offer an optimized price-performance-ratio. Whether aluminium or steel tank we support the PALFINGER partner in a qualitative and cost-effective mounting.

- Perfectly adapted to the requirements of the PALFINGER loader and timber & recycling cranes
- Due to a complex individual cleaning process we insure best possible safety against pollution of the hydraulic system
- Maximum oil saturation due to integrated baffle plates and generously dimensioned suction connections
- Prepared for the PALFINGER oil sensor



- The innovative plug & play solution allows an easy mounting onto every truck chassis
- Packed into single carton boxes for perfect transport protection
- Optimized connections



- The steel oil tank offers an excellent price-performance-ratio
- The optimized coating protects the tank in the best possible way against corrosion
- All necessary connections for optimum connection to the PALFINGER crane
- Including steel mounting brackets

OIL TANK ACCESSORIES

ALUMINIUM

STEEL

EEA6327A

EEA6330A

The PALFINGER oil sensor is only connectable with PAL150- cranes (SH or TEC cranes)

Ball valve	EA4512 (2")	EA1390 (NW38)
Elbow fitting	EA1817 (2")	EA4512 (2")
Adapter	EA1901 (2")	EA1818 (1 1/4")
Suction connection for mounting of an ball valve (width 50mm to 60mm).	EA2102 (G 2" - 60mm)	EA1901 (2")
		EA2102 (G 2" - 60mm)

TECHNICAL DATA

ALUMINIUM OIL TANK

0 - 75 liter	Article number	KT063-BA
	Tank volume [l]	75
	Dimensions L x W x H (mm) Dead weight [kg]	300 x 700 x 660 30
100 liter	Connections	S=1x2"; R=60l/min; L=2x3/8"
	Article number	KT064-BA
	Tank volume [l] Dimensions L x W x H (mm) Dead weight [kg]	100 400 x 700 x 680 32
140 liter	Connections	S=2x2"; R=60l/min; L=2x3/8"; D=3/4"
	Article number	KT065-BA
	Tank volume [l] Dimensions L x W x H (mm) Dead weight [kg]	140 530 x 700 x 680 33
200 liter	Connections	S=2x2"; R=180l/min; L=4x3/8"; D=3/4"
	Article number	KT066-BA
	Tank volume [l] Dimensions L x W x H (mm) Dead weight [kg]	200 760 x 700 x 680 39
250 liter	Connections	S=2x3"; R=180l/min; L=4x3/8"; D=3/4"
	Article number	KT067-BA
	Tank volume [l] Dimensions L x W x H (mm) Dead weight [kg]	250 930 x 700 x 680 41
300 liter	Connections	S=2x3"; R=350l/min; L=4x3/8"; D=3/4"
	Article number	KT068-BA
	Tank volume [l] Dimensions L x W x H (mm) Dead weight [kg]	300 1100 x 700 x 680 43
400 liter	Connections	S=2x3"; R=350l/min; L=4x3/8"; D=3/4"
	Article number	KT069-BA
	Tank volume [l] Dimensions L x W x H (mm) Dead weight [kg]	400 1500 x 700 x 680 57
Connections	S=2x3"; R=350l/min; L=4x3/8"; D=3/4"	

STEEL OIL TANK

UT032*	Article number	KT017-BA*
	Tank volume [l]	45
	Dimensions L x W x H (mm) Dead weight [kg]	528 x 435 x 429 23
KT021-BA	Connections	S=2x1 1/4"; R=80l/min; L=1x
	Article number	KT001-BA
	Tank volume [l] Dimensions L x W x H (mm) Dead weight [kg]	100 727 x 440 x 555 45
KT002-BA	Connections	S=2x1 1/4"; R=80l/min; L=2x3/8"; D=1"
	Article number	KT002-BA
	Tank volume [l] Dimensions L x W x H (mm) Dead weight [kg]	140 554 x 702 x 660 59
KT003-BA	Connections	S=2x2"; R=180l/min; L=4x3/8"; D=1"
	Article number	KT003-BA
	Tank volume [l] Dimensions L x W x H (mm) Dead weight [kg]	200 749 x 702 x 660 62
KT004-BA	Connections	S=2x2"; R=180l/min; L=4x3/8"; D=1"
	Article number	KT004-BA
	Tank volume [l] Dimensions L x W x H (mm) Dead weight [kg]	300 1054 x 702 x 660 77
KT005-BA	Connections	S=2x2"; R=180l/min; L=4x3/8"; D=1"
	Article number	KT005-BA
	Tank volume [l] Dimensions L x W x H (mm) Dead weight [kg]	400 1477 x 702 x 660 98
Connections	S=2x2"; R=180l/min; L=4x3/8"; D=1"	

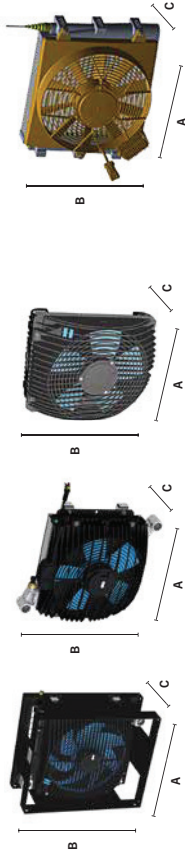
S = Suction line
R = Return filter
D = Oil drain opening
* = Without preparation for PALFINGER oil sensor

OIL COOLER

PALFINGER offers a huge range of additional oil coolers. They ensure, that the oil temperature of the crane does not exceed the allowed range.

Respectively the fluid and the sealings are protected and the life span of the hydraulic fluid and components is increased.

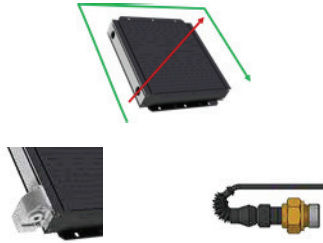
Special flushing procedures ensure that all oil coolers have the optimum system cleanliness.



STRONG ARGUMENTS

- Highest product quality
- Flexible connection possibilities facilitate the individual mounting of the oil cooler
- By avoiding threads on the oil cooler an optimal system cleanliness is ensured.
- Easier mounting based on selectable flow type (Diagonal- and U-flow)
- All ASA-RAIL oil coolers are delivered with the patented ASA shock absorbers that offer a long an optimal absorption at long operating times
- Temperature sensor with improved protection class (IP69K)
- Protected against polarity and overvoltage as well as temperature-dependent oil cooler speed

ASA RAIL



For correct dimensioning, please use the calculation on page 10.

ASA HYDRAULIK

ASA RAIL

to 8.5 kW	BKA64-12V	BKA64-24V	EP 629-12V	EP 629-24V		
Cooling capacity [kW]	7,6*		6,8*			
Voltage [V]	12	24	12	24		
Current consumption [A]	16	8	16	8		
Max. oil flow at 30cst [l/min]	20 – 150		20 – 150			
Protection class	IP67		IP67			
Temperature range [°C]	44 – 55		49 – 55			
Protecting case	✓		X			
Dead weight [kg]	14,1		11			
Dimensions A x B x C [mm]	334 x 425 x 250		327 x 350 x 155			
to 10.5 kW	BKA65-12V	BKA65-24V	BKA63-12V	BKA63-24V	EP2074-00002**	EP2074-00001**
Cooling capacity [kW]	10,4*		10,4*			
Voltage [V]	12	24	12	24		
Current consumption [A]	19	11	19	11		
Max. oil flow at 30cst [l/min]	20 – 150		20 – 150			
Protection class	IP67		IP69K			
Temperature range [°C]	44 – 55		44 – 55			
Protecting case	✓		X			
Dead weight [kg]	14,1		11,5		10,9	
Dimensions A x B x C [mm]	334 x 425 x 250		400 x 457 x 202		425 x 393 x 177	
to 20 kW	BKA66-12V	BKA66-24V	BKA34			
Cooling capacity [kW]	15,6*		20*			
Voltage [V]	12	24	24			
Current consumption [A]	19	10	9,3			
Max. oil flow at 30cst [l/min]	20 – 200		20 – 150			
Protection class	IP67		IP65			
Temperature range [°C]	44 – 55		45 – 55			
Protecting case	✓		X			
Dead weight [kg]	30,3		23			
Dimensions A x B x C [mm]	490 x 590 x 260		540 x 465 x 226			

* (T₁ = 40°C / Q = 100 l/min)

** New oil coolers for TEC range

HYDAC

STATIONARY HYDRAULIC AGGREGATES

With the stationary hydraulic aggregates, we offer an optimal solution for the application of our loader cranes as well as timber cranes in stationary based operation.

By adapting these units to the special needs of our cranes, a simple and efficient electro-hydraulic drive of the crane can be guaranteed. Due to the integrated power controller, high working pressures are required (up to 365 bar), as well as high liter volumes (up to 195 l/min) possible.

Observe the guidelines for stationary crane operation.



PERFORMANCE DATA

- Working pressures up to 365 bar
- Motors with efficiency class IE03
- Required mains frequency 50 Hz
- Required voltage 3x400V
- Protection class engine IP55
- Protection class control box IP65



STRONG ARGUMENTS

- Fast and efficient operation due to the power controller of the unit
- High energy efficiency due to the use of engines of efficiency IE03 and the variable pumps with load sensing device
- The perfectly matched complete system guarantees one simple and quick setup
- High operational reliability of the unit due to optional equipment such as Oil pan and tank heating
- Energy meter for invoicing (non-verifiable)

15 kW

30 kW

55 kW

75 kW

HYDRAULIC AGGREGATE

Electric motor, load sensing pump, power, pressure- and flow-control, damping valve, hydraulic tank, air filter, oil gauges, return filter, float switch

Crane class	[mt]	EP1901	EP1902	EP1903	EP1904
Max. flow rate	(l/min)	9	23	50	150
Max. operation pressure	(bar)	60	90	142	195
Tank volume	l	365	365	365	365
Dimensions (A x B x C)	(mm)	250	400	400	630
		1245x910x720	1780x1030x780	1780x1165x780	1780x1385x890

CONTROL BOX

Control box with regulated power supply, 3x400VAC / 240VDC / 40A
Energy meters for invoicing (non-verifiable)

Dimensions (D x E x F)	[mm]	EEA11010	EEA11011	EEA11012	EEA11013
		600x650x250	600x650x250	760x760x300	760x760x300

OIL PAN

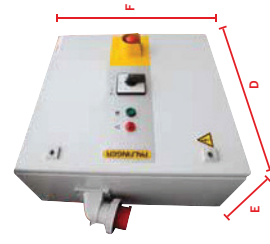
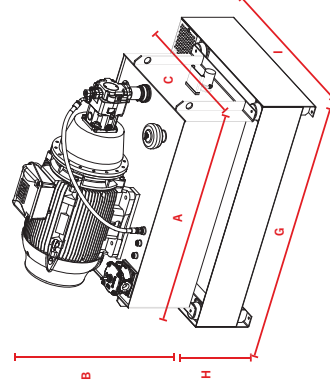
Version according to Water Resources Act

Dimensions (G x H x I)	[mm]	HXE4940	HXE4941	HXE4941	HXE4942
		1210x360x970	1785x370x1035	1785x370x1035	1785x440x1245

TANK HEATING

Screw-in heater 1050 Watt

Dimensions (G x H x I)	[mm]	EEA11014	EEA11014	EEA11014	EEA11014



Caution: For cranes with workman basket a separate technical clarification is necessary.

HYBRID DRIVE

With the PALFINGER hybrid drive, we offer an efficient solution for the mobile use of the crane in noise and emission sensitive areas. By adapting these units to the specific requirements of the crane, a simple and efficient electro-hydraulic drive can be ensured.

- Work in noise and emission sensitive areas
- Save up to 80% of the running costs
- Easy connection by means of power cable to the power supply (32A / 63A)

Hybrid	Components	For cranes	Power connection
15 kW	1 x EP1500 Engine pump unit 15kW 1 x EP1501 Switch cabinet for hybrid 15kW	≤ PK 50002 EH	32A
30 kW – single circuit	1 x EP2224 Engine pump unit 30kW 1 x EEA14215 Switch cabinet for hybrid 30kW single circuit	≤ PK 110002 SH	63A
2 x 30 kW	2 x EP2224 Engine pump unit 30kW 1 x EEA14216 Switch cabinet for hybrid 30kW double circuit	≤ PK 200002L SH	2 x 63A

COMPONENTS HYBRID DRIVE

- Operating pressures up to 365 bar
- Electric engine
- Variable displacement pump
- Power control
- Damping rails
- Installation instructions and documentation (E / DE)

CALCULATE FOR YOURSELF

Consumption per crane operating hour	x	Price per liter of fuel	=	Fuel costs per crane operating hour
15 kWh	x	Price per kWh	=	Energy per crane operating hour
			=	Savings per crane operating hour
			x	Operating hours / year
			=	Savings per year

COMPONENTS CONTROL CABINET

- Wired control cabinet
- Device plug for easy connection to the power supply (at 30kW / loose)
- Emergency stop button
- Illuminated pushbutton "Pump ON"
- Indicator light "Pump fault"
- Switch from motor-hydraulic to electro-hydraulic
- Outlets for Paltronic, headlight, oil cooler, LS switch
- Controlled power supply 3x400VAC / 24VDC / 40A (60A for Working basket drive EN280 on request)
- Energy meter for invoicing (non-verifiable)
- Installation instructions and documentation (E / DE)
- The cabling between the hybrid drive and the control cabinet must be realized by the installer using the enclosed wiring diagram

"WATCH THE VIDEO ON YOUTUBE"



BENEFITS FOR CUSTOMER

- Reduction of noise pollution
- No exhaust gases at the construction site
- Environmentally friendly solution
- Quick and smooth working of the crane due to the power controlled load sensing pump
- Facilitated conversation with other employees due to the reduced noise pollution
- Environmentally friendly solution

BENEFITS FOR EMPLOYEE

- 80% cost effective saving of energy in crane operation*
- Saving of operating hours on the truck
- Possibility to work in buildings and noise sensitive areas (hospitals, schools...)
- Environmentally friendly solution

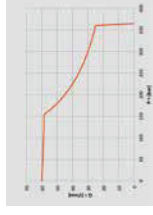
BENEFITS FOR ENTREPRENEUR

- 80% cost effective saving of energy in crane operation*
- Saving of operating hours on the truck
- Possibility to work in buildings and noise sensitive areas (hospitals, schools...)
- Environmentally friendly solution

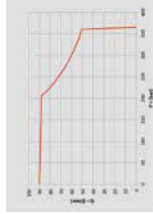
*depending on the extent of use and the country-specific prices for energy and fuel

PLEASE CONSIDER:

- Position oil tank as high as possible
- Only the use of LED lighting on the crane is possible
- Wiring in the control cabinet is to carry out by a certified specialist according wiring diagram
- Due to the power-controlled pump the operating speed of the crane is reduced compared to the conventional hydraulic drive (see performance curve)



Power regulation 15 (kW)



Power regulation 30 (kW)

EMERGENCY POWERPACK

EMERGENCY POWERPACK FOR WORKMAN BASKET

In order to ensure a safe lowering of the working basket in the event of failure of the conventional hydraulic system an emergency operation of the working basket must be provided. This emergency lowering is compulsory for EN280 cranes, but is also recommended for NON-CE cranes.

The emergency drive is available as a hydraulic kit for constant or variable displacement pumps for 24V. In the hydraulic kit, all necessary hydraulic components, such as non-return valves, pressure gauges, etc., are included. The hydraulic unit is also available as a loose part (12V / 24V).

ATTENTION: The drive is designed exclusively for emergency and not for standard operation. The hydraulic and electrical connection has to be made according to the building guidelines of PALFINGER. Be sure to observe the specifications of the carrier vehicle! For the electrical connection, the corresponding cable cross sections to be observed (90mm²).



Code

Code	Description
KMG00210A	Emergency drive kit for workman basket on constant flow cranes 24V – 3 kW – max. 270 bar
KMG00211A	Emergency drive kit for workman basket on load sensing cranes 24V – 3 kW – max. 270 bar
EP1982	Emergency power pack 24V – 3kW – max. 270 bar
EP2022	Emergency power pack 12V – 3kW – max. 270 bar

Technical Specification available in PALDESK / Equipment

ADDITIONAL STABILIZERS

PALFINGER is the only crane manufacturer that offers a complete additional stabilizer range!

- Developed and produced at PALFINGER
- Simple and ideal integration into the stability system of the crane - "Plug & Play"
- Low dead weight = Higher payload
- High permissible supporting forces up to 240 kN
- All supporting cylinders are equipped with tilttable stabilizer pads (Conform to EN12999)
- Fully variable supporting position available
- Up to 50% improved stability
- Protected hoses and cables due to the inside mounting
- Maintenance optimized outrigger system
- High working speed due to return oil utilization
- High quality KTL coating prevents corrosion

PALFINGER RECOMMENDATION

The following table can be used for selecting the additional stabilizers for the respective crane model in combination with the truck wheel formula. Due to the variety of trucks and cranes, unrealizable combinations can occur.

This table is only a general information and does not replace an axle load calculation and stability analysis! Optionally, we offer the stability analysis and the calculation of your vehicle as engineering package (see page 08-09).

Crane model	Truck wheel drive	Front mounting with platform	Semi-trailer truck	Rear mounting with platform
PK 16001	4 x 2	BS002 + STZS (BS002 + STZY3) (BS001 + STZS) (BS001 + STZY3)	BS003 + STZS (BS002 + STZS)	BS002 + STZS (BS001 + STZS)
PK 18001L	6 x 4	BS002 + STZS (BS002 + STZY3) (BS001 + STZS) (BS001 + STZY3)	BS003 + STZS (BS002 + STZS)	BS002 + STZS (BS001 + STZS)
PK 19502	4 x 2	BS002 + STZS (BS002 + STZY3) (BS001 + STZS) (BS001 + STZY3)	BS003 + STZS (BS002 + STZS)	BS002 + STZS (BS001 + STZS)
PK 23001L	6 x 4	BS002 + STZS (BS002 + STZY3) (BS001 + STZS) (BS001 + STZY3)	BS003 + STZS (BS002 + STZS)	BS002 + STZS (BS001 + STZS)



Crane model	Truck wheel drive	Front mounting with platform	Semi-trailer truck	Rear mounting with platform
PK 24001	4 x 2	BS003 + STZS (BS003 + STZY3) (BS002 + STZS) (BS004 + STZY3)	BS003 + STZS	BS003 + STZS (BS003 + STZS + STU07) (BS002 + STZS)
PK 33002 EH	6 x 4	BS003 + STZS (BS003 + STZY3) (BS002 + STZS) (BS004 + STZY3)	BS003 + STZS	BS003 + STZS (BS003 + STZS + STU07) (BS002 + STZS)
PK 34002 SH	8 x 4	BS003 + STZS (BS003 + STZY3) (BS002 + STZS) (BS004 + STZY3)	BS003 + STZS	BS003 + STZY3 (BS004 + STZY3)
PK 42002 SH	4 x 2	BS005 + STZS (BS003 + STZY3) (BS004 + STZY3)	BS005 + STZS (BS007 + STZS)	BS003 + STZS (BS005 + STZS + STU07)
PK 50002 EH	6 x 4	BS005 + STZS (BS003 + STZY3) (BS004 + STZY3)	BS005 + STZS (BS007 + STZS)	BS003 + STZS (BS005 + STZS + STU07)
PK 53002 SH	8 x 4	BS005 + STZS (BS003 + STZY3) (BS004 + STZY3)	BS005 + STZS (BS007 + STZS)	BS003 + STZY3 (BS004 + STZY3)
PK 56502	4 x 2	BS007 + STZS (BS005 + STZS)	BS007 + STZS (BS005 + STZS)	BS004 + STZS
PK 65002 SH	6 x 4	BS007 + STZS (BS005 + STZS)	BS007 + STZS (BS005 + STZS)	BS004 + STZS
PK 78002 SH	8 x 4	BS007 + STZS (BS006 + STZY3) (BS1003A + STZS+STU04)	BS007 + STZS (BS1003A + STZS+STU04)	BS006 + STZY3 (BS005 + STZS)
PK 92002 SH	6 x 4	BS007 + STZS (BS006 + STZY3) (BS1003A + STZS+STU04)	BS007 + STZS (BS1003A + STZS+STU04)	BS006 + STZS (BS085 + STZS) (BS1003A + STZS)
PK 110002 SH	8 x 4	BS007 + STZS (BS006 + STZY3) (BS1003A + STZS+STU04)	BS007 + STZS (BS1003A + STZS+STU04)	BS006 + STZY3 (**)
PK 150002	6 x 4	BS1003A + STZS+STU04 (BS1242A + STZS+STU04)	BS1003A + STZS+STU04 (BS1242A + STZS+STU04)	BS1242A + STZS (BS1003A + STZS) (BS1286A + STZY)
PK 165.002 TEC 7	8 x 4	BS1242A + STZS+STU04 (BS1003A + STZS+STU04)	BS1242A + STZS+STU04 (BS1003A + STZS+STU04)	BS1242A + STZS+STU04 (BS1003A + STZS+STU04)
PK 165.002 TEC 7	10 x 4	BS1242A + STZS+STU04 (BS1003A + STZS+STU04)	BS1242A + STZS+STU04 (BS1003A + STZS+STU04)	BS1242A + STZS+STU04 (BS1003A + STZS+STU04)

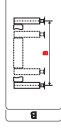
(**) Special solution on demand
(...) Articles in brackets are possible alternatives

ADDITIONAL STABILIZERS CONFIGURATION POSSIBILITIES

F_{max} [kN]



B [mm]



- standard
- optional
- ** Also available for cranes with HPSC not for STU07
- ** obligatory for EN12999
- *** not available
- *** without transport position monitoring



F_{max} = 90 kN
B = 2100 mm
= 2200 mm
= 2300 mm

F_{max} = 90 kN
B = 3400 mm

F_{max} = 120 kN
B = 4400 mm

F_{max} = 120 kN
B = 5200 mm

F_{max} = 140 kN
B = 5200 mm

OPTION

DESCRIPTION

CODE

BS001

BS002M

BS002H

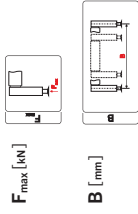
BS003

BS004

BS005

OPTION	DESCRIPTION	BS001		BS002M		BS002H		BS003		BS004		BS005	
		CE	Non-CE	CE	Non-CE	CE	Non-CE	CE	Non-CE	CE	Non-CE	CE	Non-CE
Stability monitoring	Step-by-step stability monitoring (0%, 50%, 100%)	•	○	•	○	•	○	•	○	•	○	•	○
	Continuous stability monitoring	-	-	-	-	-	-	•	○	•	○	•	○
Paltronic	Prepared for the integration into overload protection	•	•	•	•	•	•	•	•	•	•	•	•
	Prepared for the integration into overload protection	•	•	•	•	•	•	•	•	•	•	•	•
Outtrigger box	Manually extendable outtrigger	•	•	•	•	-	-	-	-	-	-	-	-
	Hydraulic extendable outtrigger	-	-	-	-	•	•	•	•	•	•	•	•
Stabilizer ram	Stabilizer ram rigid, mounting above vehicle frame	○	○	○	○	○	○	○	○	○	○	○	○
	Stabilizer ram rigid, mounting below vehicle frame	○	○	○	○	○	○	○	○	○	○	○	○
	Stabilizer ram 60° manually tiltable	○	○	○	○	○	○	○	○	○	○	○	○
	Stabilizer ram 180° hydraulically tiltable	-	-	-	-	○	○	○	○	○	○	○	○
Long version of stabilizer ram	150 mm elongated stabilizer ram	-	-	-	-	-	-	-	-	-	-	-	-
	100 mm elongated stabilizer ram	○	○	○	○	○	○	○	○	○	○	○	○
	200 mm elongated stabilizer ram	○	○	○	○	○	○	○	○	○	○	○	○
	120 mm elongated stabilizer ram	-	-	-	-	-	-	-	-	-	-	-	-
Extensions for stabilizer ram**	100 mm extension	○	○	○	○	○	○	○	○	○	○	○	○
	200 mm extension	○	○	○	○	○	○	○	○	○	○	○	○
Electric	24 Volt	○	○	○	○	○	○	○	○	○	○	○	○
	12 Volt	○	○	○	○	○	○	○	○	○	○	○	○
	Plug & Play Connection	○	○	○	○	○	○	○	○	○	○	○	○
	Transport monitoring system outriggers	•	•	•	•	•	•	•	•	•	•	•	•
	Transport monitoring system outriggers + stabilizer cylinders	○***	○***	○	○	○	○	○	○	○	○	○	○
	LED lighting package	○	○	○	○	○	○	○	○	○	○	○	○
Others	Side protection cover outtrigger	•	•	•	•	•	•	•	•	•	•	•	•
	Base coated	•	•	•	•	•	•	•	•	•	•	•	•
	Special colour RAL (Code to be specified)	○	○	○	○	○	○	○	○	○	○	○	○
	Special colour general (on demand)	○	○	○	○	○	○	○	○	○	○	○	○

ADDITIONAL STABILIZERS CONFIGURATION POSSIBILITIES



- standard
- optional
- not available
- *** without transport position monitoring



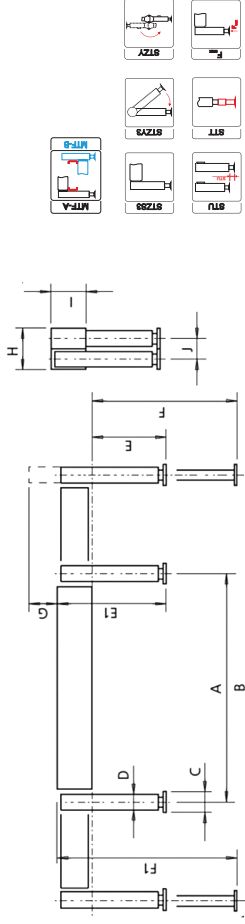
- Also available for cranes with HFSC not for STU07
- obligatory for EN12999
- without return oil utilization
- without return oil utilization
- conventional outrigger system
- conventional outrigger system

OPTION	DESCRIPTION	CODE	BS006	BS007	BS1003A	BS1242A-1	BS1286A	BS1298A
--------	-------------	------	-------	-------	---------	-----------	---------	---------

		CE	Non-CE	CE	Non-CE	CE	Non-CE	CE	Non-CE	CE	Non-CE
Stability monitoring	ISC*	-	-	-	-	-	-	-	-	-	-
	HPSC	•	○	•	○	•	○	•	○	•	○
Paltronic	PAL50	•	•	•	•	•	•	•	•	•	•
	PAL150	○	○	○	○	○	○	○	○	○	○
Outrigger box	R _{man}	-	-	-	-	-	-	-	-	-	-
	RX _{hydr}	•	•	•	•	•	•	•	•	•	•
Stabilizer ram	STZS3 MTF-A	○	○	○	○	○	○	○	○	○	○
	STZS3 MTF-B	-	-	-	-	-	-	-	-	-	-
	STZY3	○	○	-	-	-	-	-	-	-	-
	STZY	○	○	-	-	-	-	-	-	-	-
Long version of stabilizer ram	STU04	-	-	○	○	○	○	○	○	○	○
	STU05	-	-	-	-	-	-	-	-	-	-
	STU07	○	○	-	-	-	-	-	-	-	-
	STU09	-	-	○	○	-	-	-	-	-	-
Extensions for stabilizer ram**	STT100	○	○	-	-	-	-	-	-	-	-
	STT200	○	○	○	○	○	○	○	○	○	○
Electric	24V	○	○	○	○	○	○	○	○	○	○
	12V	○	○	○	○	○	○	○	○	○	○
	S-IQ***	○	-	○	-	○	-	○	-	○	-
	AUSW	•	○	•	○	•	○	•	○	•	○
Others	ABSTW	○	○	○	○	○	○	○	○	○	○
	BEL	○	○	○	○	○	○	○	○	○	○
	ADECK	•	○	•	○	•	○	•	○	•	○
	GRUND	•	•	•	•	•	•	•	•	•	•
Others	RAL	○	○	○	○	○	○	○	○	○	○
	ALLG	○	○	○	○	○	○	○	○	○	○
		○	○	○	○	○	○	○	○	○	○

ADDITIONAL STABILIZERS DIMENSIONS AND WEIGHT

DIMENSIONS



Stabilizer	Stabilizer ram	Long version	Fmax [kN]	Support width B [mm]	A [mm]	C [mm]	D [mm]	E/E1 [mm]	F/F1 [mm]	G [mm]	H [mm]	I [mm]	J [mm]
BS001	ST253 MTF-A	-	185	2100*	2100*	230	107	E-716	F-1236	20			
	ST253 MTF-A	STU07	200	2100*	2100*	230	107	E-908	F-1616	20			
	ST253 MTF-B	-	90	2200*	2200*	230	107	E1-401	F1-851	380	150	130	0
	ST253 MTF-B	STU05	177	2200*	2200*	230	107	E1-556	F1-1076	330			
BS002H BS002M	ST253 MTF-B	-	185	2300*	2300*	230	107	E-854	F-1374	20			
	ST253 MTF-B	STU05	215	2300*	2300*	230	107	E-854	F-1374	20			
	ST253 MTF-A	-	250	3400	3400	230	107	E-686	F-1206	20			
	ST253 MTF-A	STU07	265	3400	3400	230	107	E-878	F-1666	20			
BS003	ST253 MTF-B	-	242	4400	4400	230	127	E1-401	F1-851	380	150	180	0
	ST253 MTF-B	STU05	250	4400	4400	230	127	E1-556	F1-1076	330			
	ST253 MTF-B	-	280	280	280	230	127	E-824	F-1344	20			
	ST253 MTF-B	STZY	333	280	280	230	127	E-972	F-1542	90			
BS004	ST253 MTF-A	-	490	5200	5200	230	127	E-675	F-1255	25			
	ST253 MTF-A	STU07	510	5200	5200	230	127	E-874	F-1629	25			
	ST253 MTF-B	-	479	4400	4400	230	127	E1-406	F1-876	374	320	200	154
	ST253 MTF-B	STU05	491	4400	4400	230	127	E1-576	F1-1156	374			
BS005	ST253 MTF-A	-	514	514	514	230	127	E-825	F-1300	-			
	ST253 MTF-A	STZY	538	514	514	230	127	E-881	F-1411	-			
	ST253 MTF-B	-	600	5200	5200	230	127	E-675	F-1255	25			
	ST253 MTF-B	STU07	620	5200	5200	230	127	E-874	F-1629	25			
BS006	ST253 MTF-A	-	624	5900	5900	230	127	E-825	F-1300	-	320	200	154
	ST253 MTF-A	STZY	648	5900	5900	230	127	E-881	F-1411	-			
	ST253 MTF-B	-	540	5200	5200	230	127	E1-400	F1-870	374	250	335	119
	ST253 MTF-B	STU05	555	5200	5200	230	127	E1-570	F1-1150	374			
BS007	ST253 MTF-A	-	790	810	810	230	127	E-650	F-1230	95			
	ST253 MTF-A	STU07	810	810	810	230	127	E-849	F-1604	55			
	ST253 MTF-B	-	845	5900	5900	230	127	E-800	F-1275	-	400	250	234
	ST253 MTF-B	STZY	845	5900	5900	230	127	E-856	F-1386	-			
BS1003A	ST253 MTF-B	-	720	5900	5900	230	127	E1-400	F1-870	380	322	354	237
	ST253 MTF-B	STU05	735	5900	5900	230	127	E1-570	F1-1150	330			
	ST253 MTF-A	-	1270	7100	7100	300	146	E-677	F-1287	-			
	ST253 MTF-B	STU04	1290	7100	7100	300	146	E1-412	F1-936	500	619	337	289
BS1242A-1	ST253 MTF-B	-	1840	8500	8500	300	146	E1-373	F1-752	396			
	ST253 MTF-B	STU04	1860	8500	8500	300	146	E-669	F-1279	-			
	ST253 MTF-A	-	1615	8600	8600	360	146	E1-414	F1-793	355	703	440	340
	ST253 MTF-A	STU04	1660	8600	8600	360	146	E1-462	F1-976	459			
BS1298A	STZY	-	240	8600	8600	360	146	E-1099	F-1677	-	644	425	196
	ST253 MTF-A	-	1545	8600	8600	360	146	E-887	F-1393	61	396	425	196

* to be determined at mounting

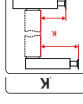
CONTROL VALVE

Control Valve	Code	Use
2-way, for additional stabilizers without return oil utilization	US1070*	BS1003A, BS1242A-1, Frame stabilizers
4-way, for additional stabilizers with return oil utilization	US891	BS1003A, BS1242A-1
2-way, for additional stabilizers with return oil utilization	KSC00012C**	BS001 up to BS007, Front- & Frame stabilizers

* When using for BS1003A, BS1242A-1, 2 pcs. are required
** When using for BS001-BS007, 2 pcs. are required

FRONT STABILIZERS & FRAME STABILIZERS

- PALFINGER development and manufacturing
- For optimal safety
- High permissible supporting forces up to 300 kN
- Integrated stability control
- Simple and efficient integration into the Stability system



Front Stabilizers	Code	Fmax [kN]	Total length [mm]	Stroke [mm]	Weight [kg]
1 pcs front stabilizer incl stability control	BS1322B	100	730	450	50
1 pcs front stabilizer incl stability control and S-IQ	BS1322B-SIQ	100	730	450	50
2 pcs front stabilizer incl stability monitoring and S-IQ	KS200419A-SIQ	100	730	450	100
1 pcs front stabilizer incl stability control	BS1323B	150	990	655	80
1 pcs front stabilizer incl stability control and S-IQ	BS1323B-SIQ	150	990	655	80
2 pcs front stabilizer incl stability monitoring and S-IQ	KS200420A-SIQ	100	730	450	160
1 pcs front stabilizer incl stability control	KS200284A	200	780	450	80
1 pcs front stabilizer incl stability control and S-IQ	KS200284A-SIQ	200	780	450	80
2 pcs front stabilizer incl stability monitoring and S-IQ	KS200421A-SIQ	100	730	450	160
1 pcs front stabilizer incl stability control	KS200286A	300	810	450	90
1 pcs front stabilizer incl stability control and S-IQ	KS200286A-SIQ	300	810	450	90
2 pcs front stabilizer incl stability monitoring and S-IQ	KS200422A-SIQ	100	730	450	180

Frame stabilizers	Code	Fmax [kN]	Total length [mm]	Stroke [mm]	K [mm]	Weight [kg]
One pair rigid stabilizer rams ST253 MTF-B	BS1333	85	770	450	385	105
One pair rigid stabilizer rams ST253 MTF-A	BS1334	85	760	415	615	105
One pair rigid stabilizer rams ST253 MTF-A	BS1335	85	985	630	830	125

FRONT STABILIZER KITS

PALFINGER is the only crane manufacturer that offers a complete additional stabilizer range!

- Developed and produced by PALFINGER
- Simple and ideal integration into the stability system of the crane - "Plug & Play" (Requires front stabilizers with SIQ and crane with Paltronic 150)
- Low dead weight = Higher payload
- High permissible supporting forces up to maximum 200 kN (Attention: consider the specifications of the truck)
- Monitoring of the supporting force
- Highest operational safety through included switches for transport position monitoring
- Integrated and adjustable frame overload system
- Maximum safety
- Reduction of assembly time and costs
- Simple electrical and hydraulic connection



VOLVO FH / FM / FMX VERSION 4

Requirements truck (frame construction)	CODE
Inner frame, complete frame length	FL-FFEF
Profile height 300 mm	FRAME300
Frame thickness 8,0 mm	FST8080
Frame extension front 400 mm	PCA00020

Control valve for radio remote control	FFSTB+2
Control valve for radio remote control	FFST10
Control valve for radio remote control	FFST12
Control valve at crane for manual control	FL8+2
Manually controlled via additional valve*	--

SCANIA G / P / R - SERIE

Preparation for front bar	S-Order / NATO	CODE
Frame construction double-U profile	F957 / F958	

Control valve for radio remote control	FFSTB+2
Control valve for radio remote control	FFST10
Control valve for radio remote control	FFST12
Control valve at crane for manual control	FL8+2
Manually controlled via additional valve*	--

INCLUDED IN THE KIT

- Traverse for easy mounting of the front stabilizer support
- Front stabilizer 200 kN
- Shunting coupling including fastening material
- Hydraulic pipes for easy connection to crane hydraulics
- Electrical kit for easy integration of the sensors into the stability system and the Transport position monitoring

TECHNICAL DATA

F _{max} [kN]	Total length [mm]	Stroke [mm]	Weight [kg]
200	780	450	80



ATTENTION! The maximum permissible supporting force ex works is to be clarified with the truck manufacturer.

VOLVO FH	VOLVO FM	VOLVO FMX	SCANIA G / P / R -SERIE*
KSZ00349A	KSZ00350A	KSZ00351A	KSZ00327A
KSZ00349A-SIQ	KSZ00350A-SIQ	KSZ00351A-SIQ	KSZ00327A-SIQ
Standard	Standard	Standard	1140 mm
Plastic / Steel	Plastic / Steel	Plastic / Steel	Plastic
o CCS90000-10	o CCS90000-20	o CCS90000-30	o CCS60000-30
o CCS90000-10	o CCS90000-20	o CCS90000-30	o CCS60000-50
o CCS90000-10	o CCS90000-20	o CCS90000-30	o BZ488
o CCS90000-10	o CCS90000-20	o CCS90000-30	o CCS60000-6001
o CCS90000-10	o CCS90000-20	o CCS90000-30	o CCS60000-6002
o CCS90000-10	o CCS90000-20	o CCS90000-30	o KMG06247A
o CCS90000-10	o CCS90000-20	o CCS90000-30	o KMG06248A

* ... not compatible with series Scania NTG
 • ... obligatory at Scania with steel bumper
 • ... included in the kit

* to be realized by the bodybuilder
 Developed and approved by the PALFINGER Mounting Competence Center.

STABILIZER PADS AND TRANSPORT BOXES IDEAL SUBSTRUCTION FOR YOUR CARNE

- Ideal for various ground surfaces
- Easy and fast handling due to the carrying straps as well as the fastening possibilities on the truck
- Maximum safety for all supporting forces tested by PALLINGER
- Even at low temperatures - no risk of breakage
- Suitable transport boxes available for all sizes
- Quick locking of the stabilizer pads plates via the retrofit set QuickLock



STABILIZER PADS ROUND MADE OF PA6-PLASTIC

Ø x H [mm]	Support load [t]	Code	Weight [kg]
400 x 80	12	EZ2261-400	5
500 x 80	16	EZ2261-500	7



TRANSPORT BOXES FOR ROUND STABILIZER PADS

Code uncoated	Weight [kg]	Code KTL coated	Weight [kg]
EZ2262-400	5	EZ2263-400	5
EZ2262-500	7	EZ2263-500	7



QuickLock

STABILIZER PADS SQUARE MADE OF RECYCLING PLASTIC

L x B x H [mm]	Support load [t]	Code	Weight [kg]
300 x 300 x 40	9	EZ2189-300	3,5
400 x 400 x 50	16	EZ2189-400	8
500 x 500 x 60	26	EZ2189-500	15
600 x 600 x 60	36	EZ2189-600	21
800 x 800 x 60	40	EZ2189-800	35



TRANSPORT BOXES FOR SQUARE PADS

Code Box for 1 plate	Weight [kg]	QuickLock 1 plate*	Code Box for 2 plates	Weight [kg]	QuickLock 2 plates*
EZ2236-300	8	—	EZ2190-300	8	—
EZ2236-400	9	—	EZ2190-400	9	—
EZ2236-500	11	EFA 439	EZ2190-500	11	EFA 440
EZ2236-600	13	EFA 439	EZ2190-600	13	EFA 440
EZ2236-800	15	EFA 439	EZ2190-800	15	EFA 440



* only useable when box is mounted vertically

MOUNTING KIT FOR 3.5T TRUCK

- Complete screwable kit for easy mounting on the truck
- Including all hydraulic and electric components
- No welding work required
- Reduction in mounting time from 30% up to 50%
- Standard platform of the vehicle manufacturer is useable
- Higher payload because an additional sub frame is no longer needed
- All components are proved by PALFINGER and therefore perfectly fit to the demand of the crane

TECHNICAL SPECIFICATIONS

Depending on the crane vehicle combination

Following components are included in the mounting kit

- Frame brackets
- Stabilizer system (conform EN12999)
 - PC 1500 - outrigger one side (R) + 1 stabilizer cylinder
 - PC 2700 - outrigger both sides (R2) + 2 short rigid stabilizer cylinders
- Screws for fixing to the vehicle frame
- Templates or detailed information for an easy remove of the area at the platform where the crane will be mounted
- Cover for the platform floor around the crane column
- Complete wiring harness with all necessary switches, plugs and fuses
- Oil tank and all necessary hydraulic hoses
- Detailed set-up instructions with complete photo-documentation

BEST PRICE PROOF 3,5T MOUNTING KIT + PC CRANE

On the example PC 2700B, BS013 R2 and powered by powerpack

Conventional assembly	EUR	Assembly with mounting kit	EUR
Crane PC 2700 B, ISC-S, EKAT, VPACK		Crane PC 2700 B, ISC-S, EKAT, VPACK	
Support BS013, STZS3, ISC-S		Mounting kit variant with powerpack	
4 kW powerpack EP 1983C		20 h mounting x hourly rate (€/h)	
6 m cable kit powerpack EEA9836A			
Mounting plates, stiffing plates etc.			
Small materials, screws, washers, etc.			
8h project engineering (planning, calculating, logistics, etc.) x hourly rate (€/h)			
40h build-up (demount platform, weld sub-frame, mounting crane and stabilizer, total electric and hydraulic, etc.) x hourly rate (€/h)			
Total		Total	

YOU NEED:

- Carrier vehicle with standard platform
- Crane • Mounting kit • approx. 20 h assembly time

AVAILABLE FOR:

- IVECO New Daily
- VW T6
- MERCEDES-SPRINTER*
- RENAULT MASTER

* model until end of 2017

DRIVE VARIANTS

- **Gear pump for mounting at the PTO**
 - Only for Mercedes Sprinter, Renault Master, Iveco New Daily, MAN TGE and VW Crafter
 - For continuous operation
 - For rope winch application
- **Gear pump with electromagnetic clutch and oil tank**
 - Only for FIAT Ducato including air conditioning
 - For continuous operation
 - For rope winch application
- **Hydraulic power pack**
 - Suitable for all vehicles
 - Limited operating time
 - (Attention > consider Product Information 03-2016)
 - Winch operation not possible!

100% compatibility can not be guaranteed! Adaptations may be necessary.

The following vehicles based on the same chassis:
FIAT Ducato Multijet > PEUGEOT Boxer / CITROEN Jumper / CHRYSLER RAM ProMaster
RENAULT Master > OPEL Movano / NISSAN NV400

	MAN TGE & VW Crafter*	IVECO NEW DAILY (2017 model)	VW T6**	MERCEDES SPRINTER (OM651 DE 22LA - 316 R2; 916 R3; 916 R2; 516 R3)	RENAULT MASTER (150.35 - Pritsche 40 L3 - M9T - 107kW)	FIAT DUCATO ** (130 Multijet 2)	FIAT DUCATO ** (150 Multijet 2)	FIAT DUCATO ** (180 Multijet 2)
	Crane left or right (In driving direction)	Crane left or right (In driving direction)	Crane left or right (In driving direction)	Crane left (In driving direction)	Crane left (In driving direction)	Crane left (In driving direction)	Crane left (In driving direction)	Crane left (In driving direction)
	Crane right (In driving direction)	Crane right (In driving direction)	Crane right (In driving direction)	Crane right (In driving direction)	Crane right (In driving direction)	Crane right (In driving direction)	Crane right (In driving direction)	Crane right (In driving direction)
	Front mounted	Front mounted	Rear mounted	Front mounted	Front mounted	Front mounted	Front mounted	Front mounted
	Pump on PTO	Pump on PTO	Powerpack	Powerpack	Pump on PTO	Electromagnetic clutch	Electromagnetic clutch	Electromagnetic clutch
	Powerpack	Powerpack	Powerpack	Powerpack	Powerpack	Powerpack	Powerpack	Powerpack
	Manual	Manual	Manual	Manual	Manual	Manual	Manual	Manual
	PC 1500	PC 1500	PC 1500	PC 1500	PC 1500	PC 1500	PC 1500	PC 1500
	CCX061011111	CCX061011121	CCX051041211	CCX031011411	CCX031011411	CCX011051411	CCX011021411	CCX011061411
	CCX061041111	CCX061041121	CCX051041111	CCX031041411	CCX031041411	CCX011041411	CCX011041421	CCX011041421
	CCX041011111	CCX041011121	CCX041011121	CCX021011311	CCX021011311	CCX011051321	CCX011021321	CCX011061321
	CCX041041111	CCX041041121	CCX041041121	CCX021041311	CCX021041311	CCX011041311	CCX011041321	CCX011061321
	-	-	-	CCX031011311	CCX031011311	CCX011051421	CCX011021421	CCX011061421
	-	-	-	CCX031041311	CCX031041311	CCX011041421	CCX011041421	CCX011041421
	-	-	-	CCX031012313	CCX031012313	CCX011052313	CCX011022313	CCX011062313
	-	-	-	CCX031042313	CCX031042313	CCX011042313	CCX011042313	CCX011062313
	-	-	-	CCX031012413	CCX031012413	CCX011052413	CCX011022413	CCX011062413
	-	-	-	CCX031042413	CCX031042413	CCX011042413	CCX011042413	CCX011042413
	-	-	-	CCX031012323	CCX031012323	CCX011052323	CCX011022323	CCX011062323
	-	-	-	CCX031042323	CCX031042323	CCX011042323	CCX011042323	CCX011062323
	-	-	-	CCX031012423	CCX031012423	CCX011052423	CCX011022423	CCX011062423
	-	-	-	CCX031042423	CCX031042423	CCX011042423	CCX011042423	CCX011042423
	-	-	-	CCX031012333	CCX031012333	CCX011052333	CCX011022333	CCX011062333
	-	-	-	CCX031042333	CCX031042333	CCX011042333	CCX011042333	CCX011062333
	-	-	-	CCX031012433	CCX031012433	CCX011052433	CCX011022433	CCX011062433
	-	-	-	CCX031042433	CCX031042433	CCX011042433	CCX011042433	CCX011042433

* Due to the same model of the vehicles, the order codes of the variants are equal. ** Minor adaptations possible at the factory flat bed.
*** For the "Electromagnetic clutch" drive variant, an air conditioning system for the carrier vehicle is obligatory.



STABILIZERS PC-CRANE

- All support frames delivered in the EU must comply with EN12999:2010.
- Cranes with load distribution less than 1000 kg or less than 40 kNm lifting torque (PC1500) do not need to be monitored for stability
- For non-EU countries, the versions without CE conformity are still available and permissible

- Standard
- Optional
- Not available
- * titable outrigger
- ** ex works base coated
- *** only in combination with STZ55



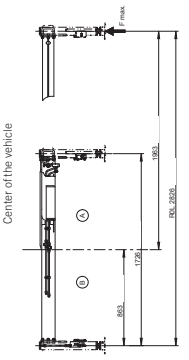
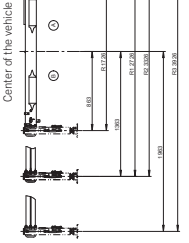
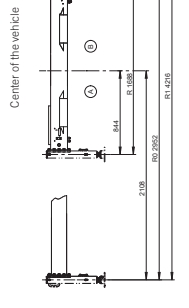
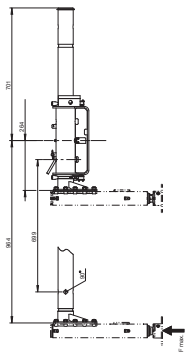
OPTIONS	DESCRIPTION		CODE		BS008 PC1500		BS008 PC2700		BS010		BS013		BS014	
	CE	Non-CE	CE	Non-CE	CE	Non-CE	CE	Non-CE	CE	Non-CE	CE	Non-CE	CE	Non-CE
Stability monitoring	•	○	•	○	•	○	•	○	•	○	•	○	•	○
Outtrigger box	•	•*	•*	•*	•	•	•	•	•	•	•	•	•	•
Stabilizer ram	○	○	○	○	○	○	○	○	○	○	○	○	○	○
Long version of stabilizer ram	○	○	○	○	○	○	○	○	○	○	○	○	○	○
Electric	•	•	•	•	•	•	•	•	•	•	•	•	•	•
Others	•	•	•	•	•	•	•	•	•	•	•	•	•	•
Mounting bolts	•	•	•	•	•	•	•	•	•	•	•	•	•	•

DESCRIPTION	BS008		BS010		BS013		BS014	
	R	R1	R	R1	R	R1	R	R1
Weight	132 kg	161 kg	144 kg	174 kg	135 kg	145 kg	120 kg	135 kg
Variant	STZ55	STZ75	STZ55	STZ75	STZ55	STZ75	STZ55	STZ75
F max.	40,8 kN	17,8 kN	55,4 kN	23,8 kN	24,4 kN	17,1 kN	38,6 kN	24,4 kN
Mounting bolts for easy connection to the vehicle	•	•	•	•	•	•	•	•

DESCRIPTION	PC 2700		PC 1500	
	R	R1	R	R1
Weight	135 kg	165 kg	120 kg	135 kg
Variant	STZ55	STZ75	STZ55	STZ75
F max.	41 kN	17,8 kN	30 kN	19 kN
Mounting bolts for easy connection to the vehicle	•	•	•	•

DESCRIPTION	PC 2700B (STZ55)		PC 1500A (STZ55)	
	R	R1	R	R1
Weight	130 kg	145 kg	130 kg	145 kg
Variant	STZ55	STZ75	STZ55	STZ75
F max.	14,3 kN	9,1 kN	21,2 kN	13,4 kN
Mounting bolts for easy connection to the vehicle	•	•	•	•

DESCRIPTION	PC 3800		PC 2700B (STZ55)		PC 1500A (STZ55)	
	R	R1	R	R1	R	R1
Weight	147 kg	177 kg	130 kg	145 kg	130 kg	145 kg
Variant	STZ55	STZ75	STZ55	STZ75	STZ55	STZ75
F max.	40,8 kN	17,8 kN	14,3 kN	9,1 kN	21,2 kN	13,4 kN
Mounting bolts for easy connection to the vehicle	•	•	•	•	•	•



DESCRIPTION	PC 2700		PC 1500	
	R	R1	R	R1
Weight	135 kg	165 kg	120 kg	135 kg
Variant	STZ55	STZ75	STZ55	STZ75
F max.	41 kN	17,8 kN	30 kN	19 kN

DESCRIPTION	PC 3800	
	R	R1
Weight	147 kg	177 kg
Variant	STZ55	STZ75
F max.	40,8 kN	17,8 kN

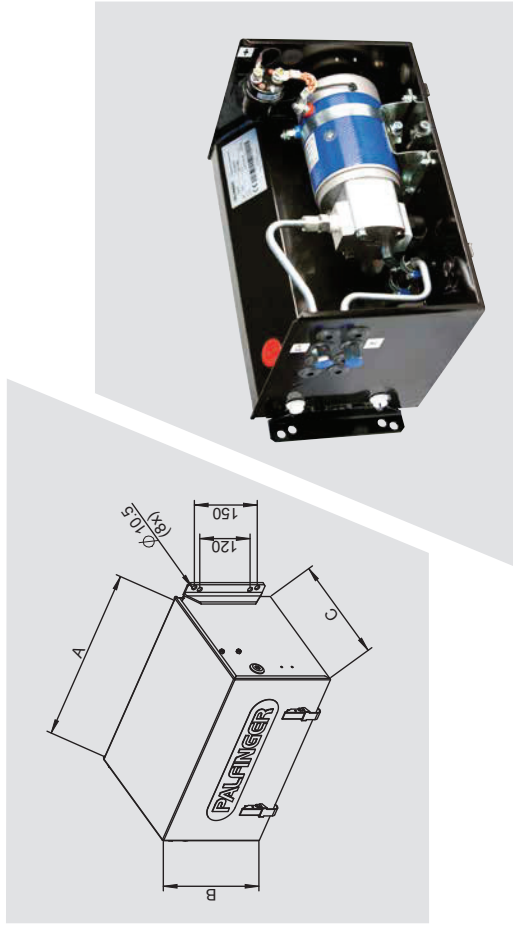
DESCRIPTION	PC 2700B (STZ55)	
	R	R1
Weight	130 kg	145 kg
Variant	STZ55	STZ75
F max.	14,3 kN	9,1 kN

DESCRIPTION	PC 1500	
	R	R1
Weight	120 kg	135 kg
Variant	STZ55	STZ75
F max.	30 kN	19 kN

POWERPACKS FOR PC-CRANES

A SUITABLE AGGREGATE FOR EACH PC – CRANE MODEL

- Creates hydraulic power without a PTO or EMC on the vehicle - PALFINGER generally recommend to use a pump on PTO to drive a PC-Crane
- Simple and convenient "Plug & Play" mounting
- Splash-proof and dust-proof thanks to compact design (IP54)
- A suitable cable kit is available for each powerpack
- Operating time > 25 min



POWERPACKS FOR PC-CRANES

Code	on-board voltage [V]	Power [kW]	Oil flow [l/min]		PC 3800	PC 2700	PC 1500	Oil flow [l]	
			100 bar	200 bar					
EP1980C	12	1,5	•	0	•	0	6,3	4,6	6
EP1981B	24	1,5	•	0	•	0	6,5	5	6
EP1983C	12	4	•	•	•	•	9	6,5	9
EP1984C	24	4,5	•	•	•	•	9,6	7,3	9

Maximum system pressure 210 bar

- ... Suitable
- ... Suitable, but reduced operating speed



DIMENSIONS

Code	Length A [mm]	Height B [mm]	Depth C [mm]	Weight [kg]
EP1980C	400	231	280	18,7
EP1981B	400	231	280	18,7
EP1983C	445	235	335	24,5
EP1984C	445	235	335	24,5

CABLE KIT

Code	Description	Suitable for
EEA9835A	Cable kit 6 m - 35 mm ²	EP1981B
EEA9847A	Cable kit 6 m - 50 mm ²	*
EEA9836A	Cable kit 6 m - 70 mm ²	EP1980C / EP1984C *
EEA9848A	Cable kit 6 m - 95 mm ²	EP1983C *

* If the cable kit is shortened to 4 m, the next smaller cable cross section can be used

ATTENTION

- The unit is not suitable for continuous operation
- Observe the vehicle specifications. The electrical system must not be overloaded
- Use the strongest available alternator and battery - second battery is recommended
- Operation of the unit only with the engine running
- Winch operation is not possible

PALFINGER FRAME PACKAGE

In addition to the PALFINGER frame modules known for many years now, four frame packages consisting of subframe and associated side plates are offered for following vehicle, crane and body variants:

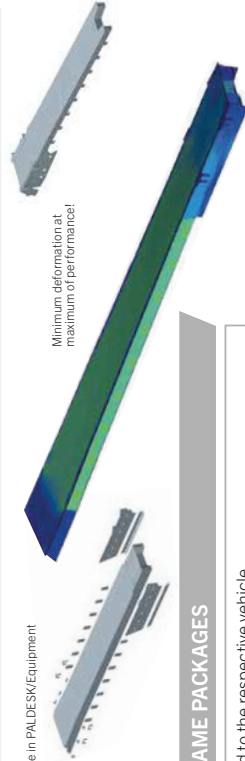


PALFINGER FRAME PACKAGE

Description	Truck	Wheel base	Mounting variant	Crane model
Frame package No. 1	Scania New R 450 B6x2*4NB	4950 + 1350	Rear mounted	PK 20.501L TEC - PK 26.001L TEC
Frame package No. 2	Mercedes-Benz Actros New 2545L 6x2**	4900 + 1350	Front mounted	PK 19502 HP, PK 20001 HP, PK 20001K, PK 22002EH, PK 23001 EH
Frame package No. 3	MAN TGS 26.440 6x4 BL	3900 + 1350	Front mounted	
Frame package No. 4	Volvo FM 420 6x2	4900 + 1370	Front mounted	

**model 96302012

Technical specification available in PALDEFK/Equipment



PALFINGER FRAME PACKAGES

- Perfectly matched to the respective vehicle
- Side plates and bracket unmounted
- Easy and quick mounting
- Made of high-quality fine-grained steel – not suitable for galvanizing
- Subframes are supplied raw for easy machining and mounting
- The drilling pattern on the subframe for the assembly of the flatbed has to be adapted individually by the body builder

Description	Code	Length [mm]	Height [mm]	Weight* [kg]
PALFINGER frame package No. 1	PZHP01	8350	265	1230
PALFINGER frame package No. 2	PZHP02	7900	250	1350
PALFINGER frame package No. 3	PZHP03	6965	200	1040
PALFINGER frame package No. 4	PZHP04	8240	200	1060

* Incl. side plates

Individual subframes can be applied via the PALFINGER individual mounting package (p. 9)

SUBFRAMES

- Improved mounting quality by using prefabricated modules
- All frames are supplied prime coated for transport
- Manufactured from fine-grained steel S690
- Ideally combined with the PALFINGER L-form side plates and the PALFINGER brackets



PALFINGER SUBFRAME MODULES

Code	Height [mm]	Length [mm]	Weight [kg]
PZH08094.10+4000	80	4000	684
PZH08094.10+6000	80	6000	1026
PZH08094.12+4000	80	4000	808
PZH08085.10+4000	80	4000	624
PZH08085.10+6000	80	6000	936
PZH08085.12+4000	80	4000	740
PZH12094.10+4000	120	4000	808
PZH12094.10+6000	120	6000	1212
PZH12094.12+4000	120	4000	956
PZH12085.10+4000	120	4000	716
PZH12085.10+6000	120	6000	1074
PZH12085.12+4000	120	4000	852
PZH16094.10+4000	160	4000	868
PZH16094.10+6000	160	6000	1302
PZH16094.12+4000	160	4000	1024
PZH16085.10+4000	160	4000	808
PZH16085.10+6000	160	6000	1215
PZH16085.12+4000	160	4000	952
PZH16085.12+6000	160	6000	1428
PZH20094.10+4000	200	4000	924
PZH20094.10+6000	200	6000	1386
PZH20085.10+4000	200	4000	864
PZH20085.10+6000	200	6000	1296
PZH25094.10+4000	250	4000	996
PZH25094.10+6000	250	6000	1494
PZH25085.10+4000	250	4000	936
PZH25085.10+6000	250	6000	1404

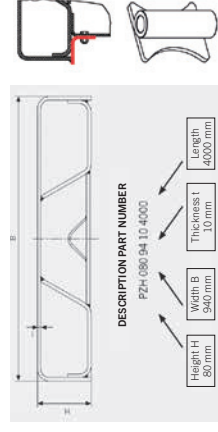
Other lengths up to 8000 mm are available on request.

ADVANTAGES

- Weight optimized
- Reduced Mounting costs
- Low construction height
- High torsional rigidity

PALFINGER FRAME ACCESSORIES

Component	Code	Weight [kg]
Side plate length 4000 mm	HA8063	56
Bracket M20	HXE4534	1,1
Bracket M24	HXE3144	2
Bracket M30	HXE3145	2,3
Bracket M36	HXE9084	4,2
Bracket M42	HXE2527	7,8
Bracket M48	HXE4514	15,8



FLATBED KITS

- Flatbed kit for self-assembly
- Floor group tested as a modular screwable set according to DIN EN 12642 Code XL
- In two versions with different frontwall and sidewall heights
- Load securing certificate according to DIN EN 12642 Code XL Annex A for a payload of up to 13t
- Load securing without loss of space
- Inclined outer edging profile with "keyhole" allows you to unitch the lashing straps with closed sidewall



DESIGN FRAME

- PALFINGER design frame kit for self-assembly
- All components for the individual assembly are included in the kit
- The height of the frame can be adjusted to the particular mounting project



TECHNICAL DATA

- Lashing points every 250 mm. They are certified according to DIN EN 12640 Code XL Annex A.
- All steel components are galvanized
- Front, rear and side walls consist of 25 mm aluminum segment profiles primer powdered in RAL 9010 (local painting possible)
- 4 sideboard walls with 2 folding steps each
- Stanchions micro-galvanized
- Pre-assembled front panel with KINNEGRIP K20 corner stanchions
- Rear portal fixed pre-assembled with KINNEGRIP K20 corner stanchions
- Side walls with an obturator for KINNEGRIP K20
- Safety hinges
- Middle stanchions KINNEGRIP K20 with galvanized screw bearing
- Floor 27 mm screen plates

Code	Structural length* [mm]	Structural width [mm]	Inner loading length [mm]	Inner loading width [mm]	Front wall height [mm]	Side wall height [mm]	Side wall length [mm]
EFA427	6660	2550	6600	2480	1600	800	3250
EFA428	6660	2550	6600	2480	1800	1000	3260

* respective +85mm for front and rearwall pillars

TECHNICAL DATA

- Sidewall profiles cut to 2530 mm
- Design bracket as a 3-part construction
- Height cut can be customized
- 2 sidewall profiles for height adjustment are included in the kit (length 2530 mm and height 150 mm)



The vehicle requirement is not defined. The design frame is universal and must be adapted to the chassis.

INCLUDED IN THE KIT:

- Design bracket (3-piece in raw aluminum)
- End wall profiles made of anodised aluminum
- Hooks for load attachments
- Storage tray
- 4 pcs. LED spotlights
- 1 pcs. lockable storage box

Kit

Code

Design frame kit

EFA408

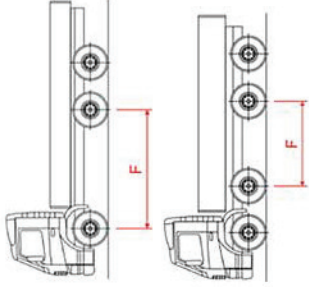
Technical specification available in PALDESK/Equipment

SIDE UNDERRIDE PROTECTION

- All required items can be order comfortably with only one article number
- Available in fixed or folding version
- ECE-certified
- The profile shape can be combined perfectly with the PALFINGER reflector tape



KIT IS CERTIFIED ACCORDING TO LAST CURRENT DIRECTIVES ECE-R73



FIXED SIDE UNDERRIDE PROTECTION KIT

Code	Length [m]	Quantity brackets	Quantity profiles	Quantity profile brackets	Wheelbase [mm]
M9000400	3,5	4	4	4	3901 - 5000
M9000401	5	4	2	4	< 3900
M9000402	5	6	4	6	> 5000

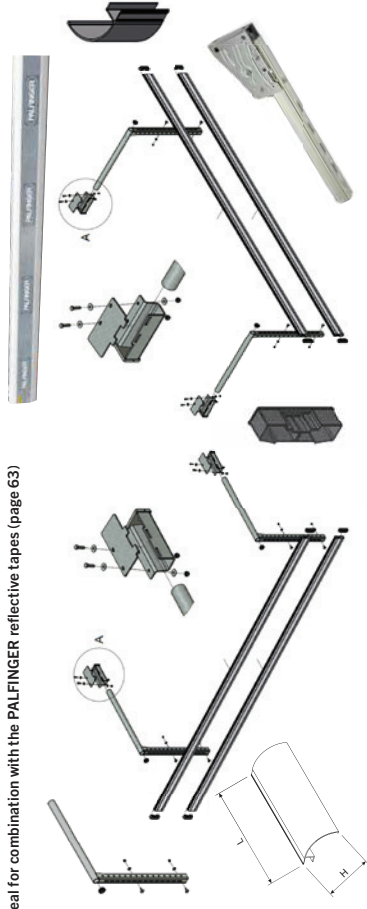
The kit includes the parts for BOTH sides of the vehicle.

FOLDABLE SIDE UNDERRIDE PROTECTION KIT

Code	Length [m]	Quantity brackets	Quantity profiles	Quantity profile brackets	Wheelbase [mm]
EFA 441	3,5	2	2	2	3901 - 5000
EFA 442	5	3	2	3	> 5000

The kit includes the parts for ONE side of the vehicle.

Ideal for combination with the PALFINGER reflective tapes (page C3)

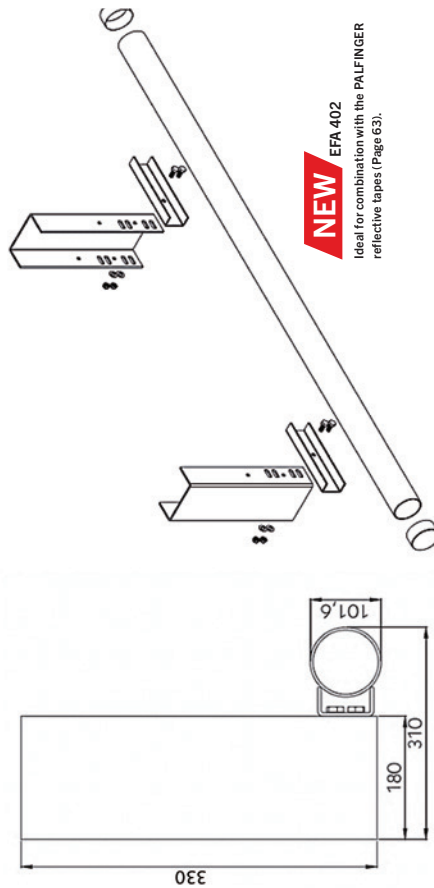


Component	Code
Profile bracket fixed including fixing material	M9000424
Profile bracket foldable without fixing material	EFA 133
Aluminium profile 3,5 m	M62010651
Aluminium profile 5 m	M62010652
Fixation bracket right	M9000500
Fixation bracket left	M9000423
Rear end (straight)	M62010616
Rear end - Angle profile H = 100 mm, L = 100 mm	M62010615
Rear end - Angle profile H = 100 mm, L = 500 mm	M62010714

UNDERRIDE PROTECTION

- Proven Quality
- Perfect protection with minimum dead weight (approx. 27 kg)
- Easy and quick mounting
- All required components can be ordered with one article number
- Steel components are base coated

KIT IS CERTIFIED ACCORDING TO CURRENT DIRECTIVES 70/221/EEC



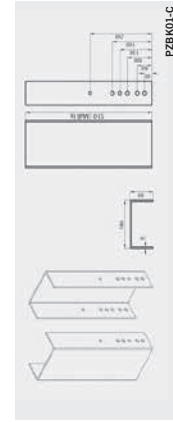
INCLUDED IN THE KIT

- 1x steel under-ride protection tube, length 2500 mm
- 2x rigid mounting brackets, height 330 mm
- 1x accessory set for mounting and assembly (including round tube caps)



Kit certified according to ECE-R58

- Lighting system in 2 different versions available
- For the mounting onto rear demountable consoles
- Underride protection made of high quality aluminum
- Ready-assembled rear - rubber arm, license plate lights and plug connections
- Matching brackets for rear demountable consoles are also available
- Horizontal distance between the rear edge of the underride protection and the vehicle tail must be max. 363 mm
- Vertical distance from bottom edge of the underride protection to the lower edge of the chassis to be max. 350 mm

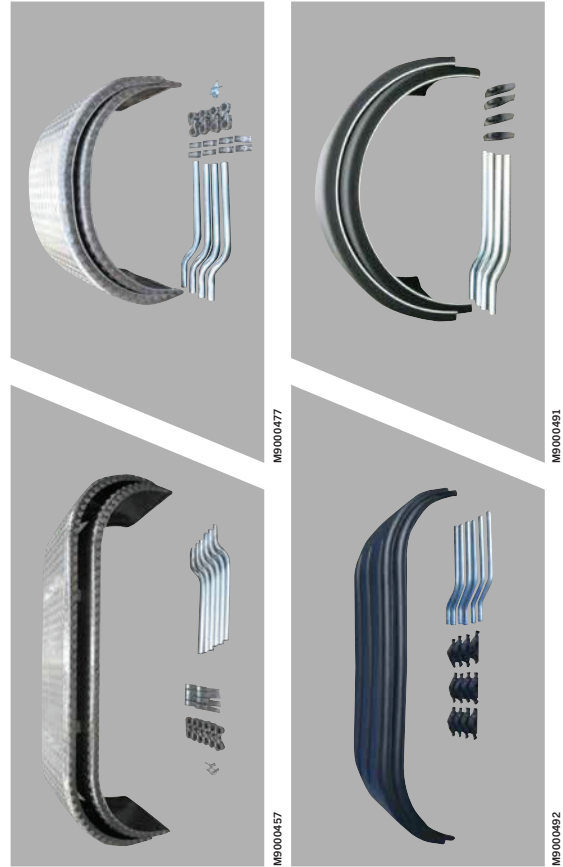


Kit	Code
Kit underrun protection rigid	EFA 402
URP aluminium silver anodised incl. Aspöck EuroFab rear lights, supply 2 x 7p can & Plug, incl. 3 m connection cable	PZBK01-A
URP aluminium silver anodised incl. Aspöck EuroFab rear lights, supply 1 x 15p can & Plug, incl. 3 m connection cable	PZBK01-B
Bracket for chassis frame width between 700 - 1400 mm	PZBK01-C

MUDGUARDS

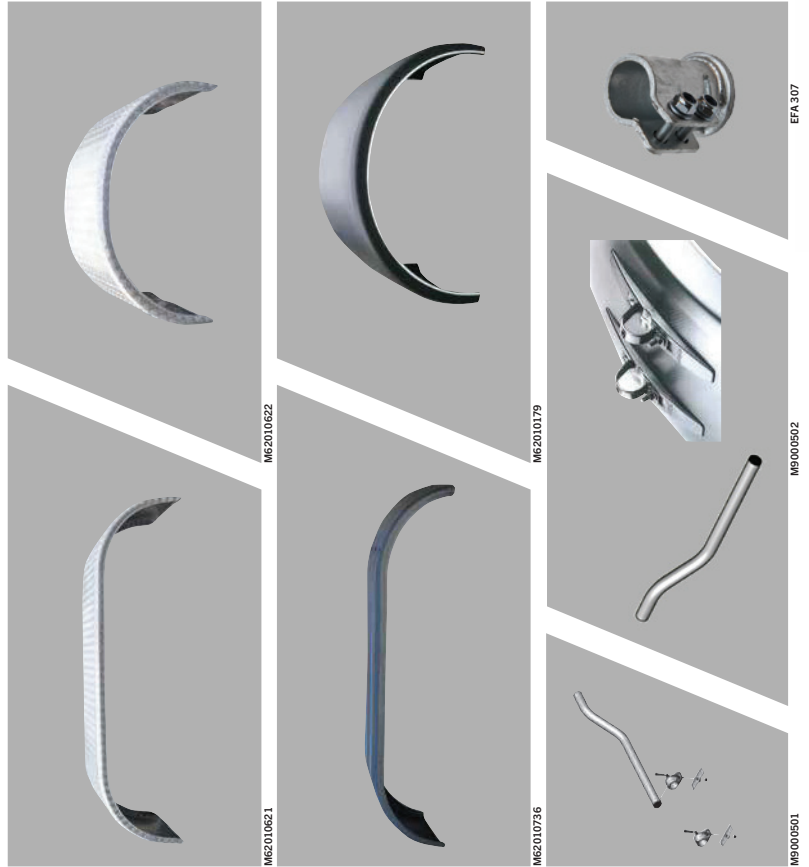
No complicated searching and browsing in various catalogues. With the PALFINGER mudguard kit you receive all required components uncomplicated - with only one number!

KIT



Kit	Code	Width [mm]	Length [mm]
Kit 2 axes aluminium mudguards	M9000457	650	2700
Kit 1 axle aluminium mudguards	M9000477	650	1280
Kit 2 axes plastic mudguards	M9000492	650	2700
Kit 1 axle plastic mudguards	M9000491	650	1280

SINGLE PARTS



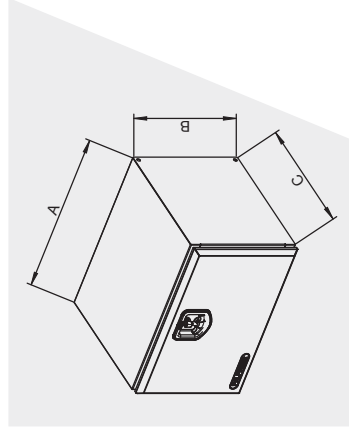
All kit components can of course also be ordered separately.

Component	Code	Width [mm]	Length [mm]	R [mm]	H [mm]
2 axes aluminium mudguard	M62010621	650	2700	650	680
1 axle aluminium mudguard	M62010622	650	1300	650	680
2 axes plastic mudguard	M62010736	650	2670	635	620
1 axle plastic mudguard	M62010179	650	1340	670	715
Tube mounting kit for aluminium mudguard	M9000501	Ø 42	760	-	-
Tube mounting kit for plastic mudguard	M9000502	Ø 42	760	-	-
Bracket for mudguard	EFA 307	-	-	-	-

TOOLBOXES PRO STAINLESS STEEL / STEEL / PLASTIC

- ECE certified R73
- Highest product quality and comfort
- High-quality optics
- Optimal corrosion protection
- Available in stainless steel, steel and plastic
- Variety of available dimensions
- Easy mounting by optional brackets

CERTIFIED AS SIDE UNDERRIDE PROTECTION: ECE CERTIFIED – R 73



Stainless steel – cover polished
Lock: stainless steel



Steel galvanized and powder coated Black RAL 9005
Lock: plastic



Polypropylene
Lock: Plastics

TECHNICAL DETAILS

- **Stainless steel/ Steel**
- Certified as side protection ECE-R73
- Gas pressure absorber
- High quality anti-slip plastic
- Lockable (2 keys)
- Splash proofed
- Lid opening downwards - max. 90°
- sheet thickness 1,5mm

Plastic

- Certified as side protection ECE-R73
- Extremely robust (shock resistant)
- Highest material quality
- High UV resistance
- Lockable (2 keys)



TOOLBOX PRO – STAINLESS STEEL

Code	Length A [mm]	Height B [mm]	Depth C [mm]	Weight [kg]	Locks	Bracket
EZ7001	600	400	500	22,0	1	EZ6998
EZ7002	800	500	500	30,5	1	EZ6998
EZ7003	1000	500	500	36,0	1	EZ6998
EZ7004	1200	500	500	42,0	2	EZ6998
EZ7006	800	600	600	37,7	1	EZ6999
EZ7007	1000	600	600	44,2	1	EZ6999
EZ7008	1200	600	600	51,0	2	EZ6999

TOOLBOX PRO – STEEL*

Code	Length A [mm]	Height B [mm]	Depth C [mm]	Weight [kg]	Locks	Bracket
EZ6981	600	400	500	22,0	1	EZ6996
EZ6982	800	500	500	30,5	2	EZ6996
EZ6983	1000	500	500	36,0	2	EZ6996
EZ6984	1200	500	500	42,0	2	EZ6996
EZ6986	800	600	600	37,7	2	EZ6997
EZ6987	1000	600	600	44,2	2	EZ6997
EZ6988	1200	600	600	51,0	2	EZ6997

TOOLBOX PRO – PLASTIC

Code	Length A [mm]	Height B [mm]	Depth C [mm]	Weight [kg]	Locks	Bracket
EZ7288	480	400	400	5,0	1	EZ7442
EZ7289	630	450	480	8,0	2	EZ7443
EZ7290	680	500	500	6,5	2	-
EZ7291	830	500	470	10,5	2	EZ7443
EZ7292	1030	500	455	13,0	3	EZ7443
EZ7293	1250	524	500	15,5	3	EZ7443

PLASTIC FIRE EXTINGUISHER BOX – PLASTIC

Code	Length A [mm]	Height B [mm]	Depth C [mm]	Weight [kg]	Weight [kg]	Extinguisher [kg]
EZ7444	611	310	250	3,5	6	6

Fire extinguisher not included

TOOLBOX PRO – BRACKETS

Code	Material	Strength [mm]	Length [mm]	Height [mm]	Weight [kg]
EZ6999	Edelstahl	2,5	520	205,0	4,2
EZ6998	Edelstahl	2,5	420	160,0	2,8
EZ6997	Stahl*	4	520	205	6,5
EZ6996	Stahl*	3	420	160	3,5
EZ7442	Stahl*	2	340	150	3,0
EZ7443	Stahl*	3	410	190	4,6

* powder coated (RAL 9005)

MOUNTING BOLTS

- Delivered before the crane to accelerate the overall mounting process.
- Examined and tested by PALFINGER
- Ideally compatible with PALFINGER crane models
- The best possible introduction of the force into the sub- and vehicle frame
- High-strength steel
- For the best possible mounting of the crane on the vehicle

Attention: In order to avoid double delivery with the separate ordering of the mounting bolts, BRI must NOT be selected in the crane configuration.

PALFINGER PK-MODELS

Crane model	BRI-3	BRI-3B	BRI-6	BRI-6B
PK 5.001 SLD 1				
PK 5.001 SLD 3				
PK 5.501 SLD 5				
PK 7.001 SLD 1	UZ011S	UZ347S	UZ165S	UZ348S
PK 7.001 SLD 3				
PK 7.001K SLD 3				
PK 7.501 SLD 5				
PK 7.501K SLD 5				

Crane model	BRI-4	BRI-4B	BRI-8	BRI-8B
PK 8.501 SLD 1				
PK 8.501 SLD 3				
PK 9.001 SLD 3				
PK 9.501 SLD 5				
PK 11.001 SLD 1				
PK 11.001 SLD 3				
PK 12.001 SLD 3				
PK 12.501 SLD 5				
PK 13.501 SLD 1	UZ144S	UZ346S	UZ140S	UZ345S
PK 13.501 SLD 3				
PK 13.501K SLD 3				
PK 14.001 SLD 3				
PK 14.501 SLD 5				
PK 14.501K SLD 3				
PK 17.001 SLD 1				
PK 17.001 SLD 3				
PK 18.001 SLD 3				
PK 19.001 SLD 5				

Crane model	BRI-4	BRI-4B	BRI-8	BRI-8B
PK 9002 EH	KVZ00060AS	KVZ00062AS	KVZ00056AS	KVZ00061AS
PK 10002 SH				
PK 12002 EH	UZ144S	UZ346S	UZ140S	UZ345S
PK 12502 SH				

Crane model	BRI-4	BRI-4B	BRI-8	BRI-8B
PK 12002 EH				
PK 12502 SH				
PK 14002 EH	UZ144S	UZ346S	UZ140S	UZ345S
PK 14502 SH				
PK 18002 EH				
PK 18502 SH				
PK 22002 EH				
PK 23001 EH				
PK 23002 SH				
PK 23501 W				
PK 26002 EH	UZ017S	UZ343S	UZ018S	UZ344S
PK 27001 EH				
PK 27002 SH				
PK 33002 EH				
PK 34002 SH				
PK 40002 EH	KVZ00059AS	KVZ00063AS	KVZ00057AS	KVZ00058AS
PK 41002 EH				
PK 41002 MH	UZ362S	UZ363S	UZ360S	UZ361S
PK 42002 SH	KVZ00059AS	KVZ00063AS	KVZ00057AS	KVZ00058AS
PK 48002 EH	UZ362S	UZ363S	UZ360S	UZ361S
PK 48002 MH				
PK 50002 EH	KVZ00059AS	KVZ00063AS	KVZ00057AS	KVZ00058AS
PK 53002 SH				
PK 62002 EH				
PK 63002 EH				
PK 65002 SH	UZ235S	UZ340S	UZ131S	UZ339S
PK 76002 EH				
PK 78002 SH				
PK 88002 EH				
PK 92002 SH				

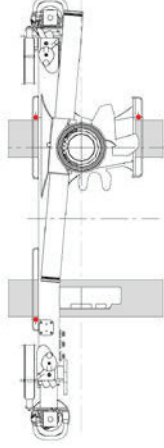
Crane model	BRI-6	BRI-6B
PK 110002 SH	UZ364S	UZ365S
PK 135.002 TEC 7	KVZ00074AS	KVZ00075AS

PALFINGER L & EL - MODELS

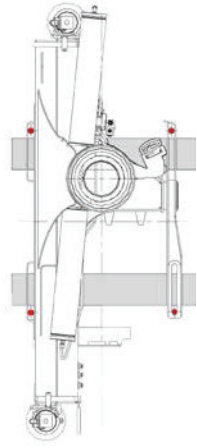
Crane model	BRI-4	BRI-4B	BRI-8	BRI-8B
PK 12001L	--	--	UZ366	UZ367
PK 15001L			UZ366	UZ367
PK 18.001L SLD 3	UZ144S	UZ346S	UZ350S	UZ265
PK 20.501L TEC 3				
PK 22.001L TEC 7	UZ373S	UZ374S	UZ371S	UZ372S
PK 23.001L TEC 3				
PK 26.001L TEC 7				
PK 25001EL	UZ290S	UZ341S	UZ266	UZ351S
PK 27001EL	--	--	UZ148S	--
PK 35001EL				
PK 40001EL	UZ138S	--	--	--

PALFINGER ADDITIONAL STABILIZERS

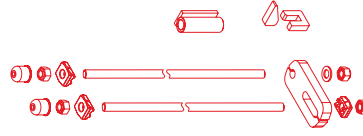
Stabilizers	BRI-6	BRI-6B	BRI-8B	BRI-8
BS009	UZ325	UZ352	--	--
BS010	--	--	UZ357	UZ356
BS013	--	--	UZ357	UZ356
BS014	UZ325	UZ352	--	--



BRI-3 / BRI-3B



BRI-4 / BRI-4B



All kits contain the required bolts, nuts, washers, twist locks, brackets and protective caps

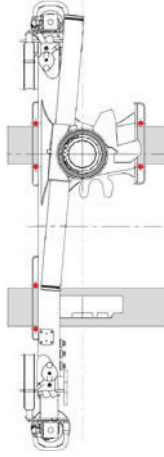
PALFINGER T - MODELS

Crane model	BRI-4	BRI-4B	BRI-8	BRI-8B
PK 13500T				
PK 15500T EH				
PK 17500T	UZ144S	UZ346S	UZ140S	UZ345S
PK 19500T EH				

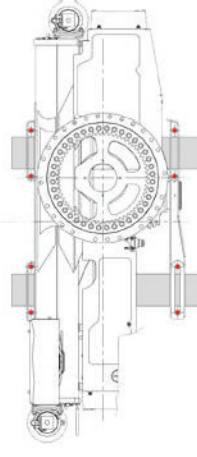
PALFINGER PW - MODELS

Crane model	BRI-4	BRI-4B	BRI-8	BRI-8B
PW 32001				
PW 35001 SH				
PW 38001	UZ373S	UZ374S	UZ371S	UZ372S
PW 38001EL				
PW 42001 SH				
PW 50001 SH				

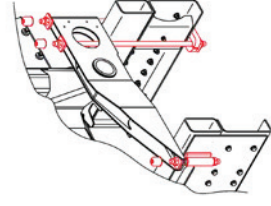
BRI-3...8 ... Number of mounting positions
 BRI-3B...8B ... Number of mounting positions, mounting bolts coated
 no kit available



BRI-6 / BRI-6B



BRI-8 / BRI-8B



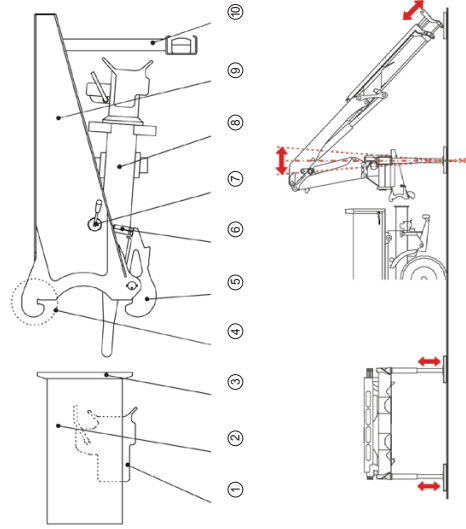
REAR DEMOUNTABLE BRACKETS

- Can be mounted to all kinds of vehicles
- The manual locking mechanism allows a coupling and decoupling within just a few minutes
- Full payload with decoupled crane possible
- Specially designed for the PALFINGER loader crane**



Code	Crane lifting moment	Weight [kg]
BK007A	119 kNm 12,1 mt	320
BK008A*	244 kNm 24,9 mt	380
BK009A	244 kNm 24,9 mt	380
BK010A	244 kNm 24,9 mt	440

* For crane mounting where center of gravity outside the center



- Trailer hitch vehicle ①
- Supporting frame (vehicle frame) ②
- Retaining plate ③
- Holding clip ④
- Clamping claw ⑤
- Expander bolt ⑥
- Swivel pin ⑦
- Trailer hitch demountable console ⑧
- Bracket carrier ⑨
- Underride protection ⑩

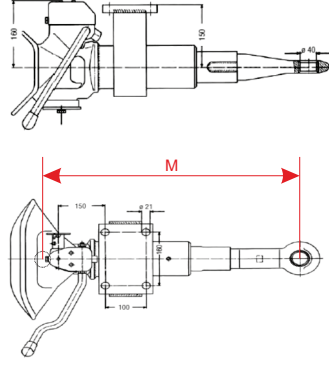
EXTENSION COUPLINGS

- High-quality friction-spring coupling
- For mounting on the rear demountable console
- Easy installation
- Extremely resistant dome muzzle
- D-value: 120 kN
- Max. bearing load of 1000 kg.*



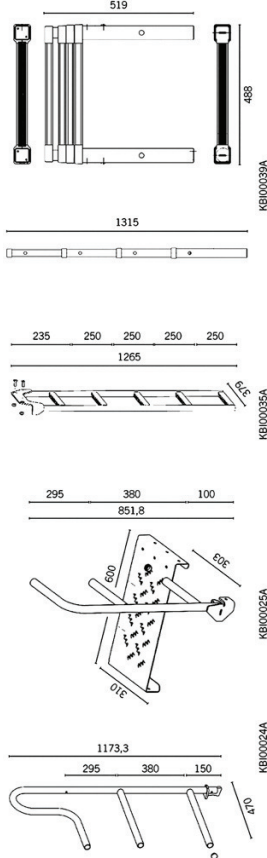
Code	Height M [mm]	Weight [kg]
PZBK02-B	875	61,5
PZBK02-C	1000	65,5
PZBK02-D	1150	70,5
PZBK02-E	1300	76

*When using the coupling extension in combination with a rear demountable console, the max. permissible crane lifting moment has to be reduced by the maximum bearing load.



ACCESSORIES FOR HIGH STAND

- Guard rails for modification to rear mounting.
- To close a possible gap between the crane and the driver's cabin, the standing platform can be extended
- The standing platform and the railing can be individually adapted onsite
- A lose ladder is available for the new high stand, the assembling to the high stand will be done by the body builder using the actual construction situation
- Telescopic rails for easy access and optimum working protection



TECHNICAL DATA

Code	Component	Weight [kg]
KB100024A	Railing	8
KB100025A	Additional platform	16
KB100035A	Access ladder	10
KB100039A	Telescopic railing	5

MISCELLANEOUS

PALFINGER LED WORKING LIGHT

- 6 Power LEDs
 - Integrated 2-pin connector
 - Swivel mounting bracket
- Multivolt: 12 – 24 V
 Power: 50 W
 Luminosity: 4200 lm
 Protection class: IP6K7 and IP6K9K



TAIL LIGHT PROTECTION

- Optimum protection of the tail light
- Made of 3mm steel flap
- Optimal corrosion protection KTL-coating
- For standard rear lights MAN, Mercedes Benz, Scania and Volvo
- 2 pieces included in kit

TAIL LIGHT BRACKET

- Quick and easy fixing on the vehicle frame
- Mounting possibility for tail lights, anti-spray mats and rear markings



MUDFLAPS



ALUMINIUM SEPARATION



For wheel base 1350 – 1450 mm

CE REFLECTIVE TAPE



Component	Code
Palfinger LED working light	EEA11854
Tail light protection	HA13836
Tail light bracket	M9000481
PALFINGER mudflap 600 x 900 mm	EFA 206
PALFINGER mudflap 400 x 700 mm	EFA 207
Aluminium separation 2 axes	M9000755
Reflective tape EC White	M62010725
Reflective tape EC Red	M62010724
Reflective tape EC Yellow	M62010722

KP-MOUNTINGASM3+EN

Units shown in the leaflet are partially optional equipped and do not always correspond to the standard version. Country-specific regulations must be observed. Dimensions may vary. Subject to technical changes, errors and translation mistakes.