

SG204

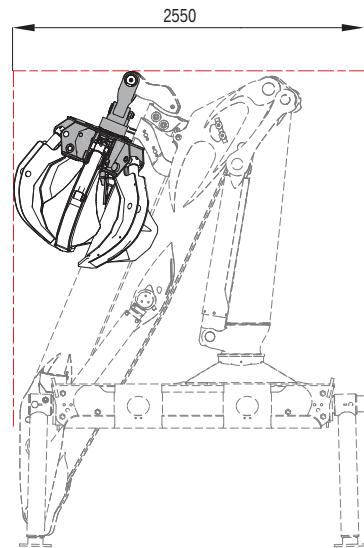
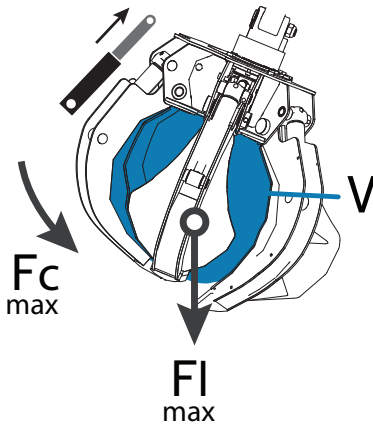
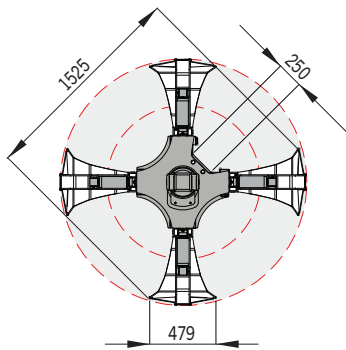
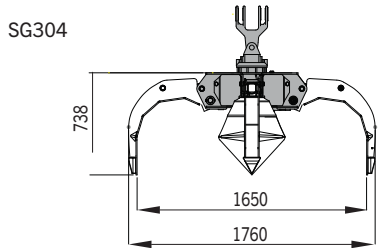
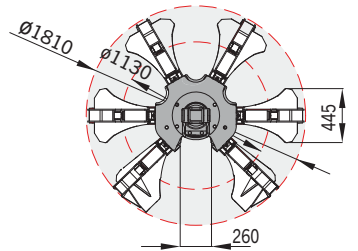
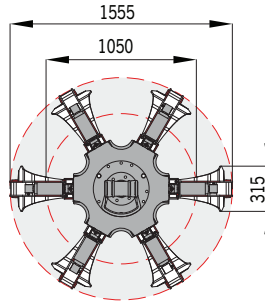
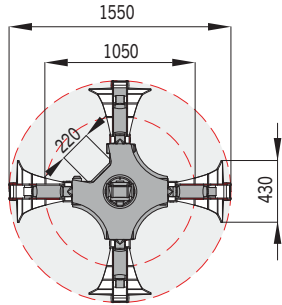
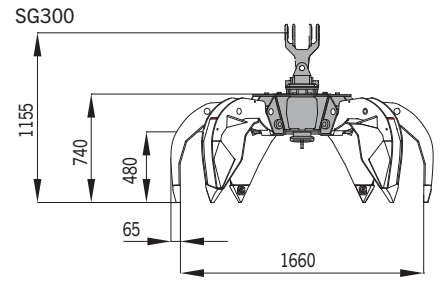
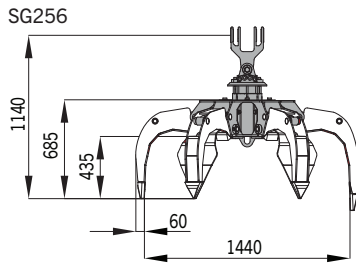
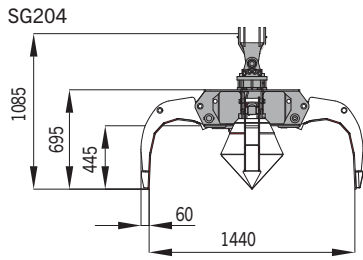
SG256



SG300

SG304

WWW.PALFINGEREPSILON.COM





		SG204	SG256	SG300	SG304
V	[l]	200	250	300	300
FI max	[kg]	2000	2500	2500	2500
	[MPa]	32	30	30	32
Fc max	[kN]	10	11,5	17	15
	[kg]	270	377	424	320